

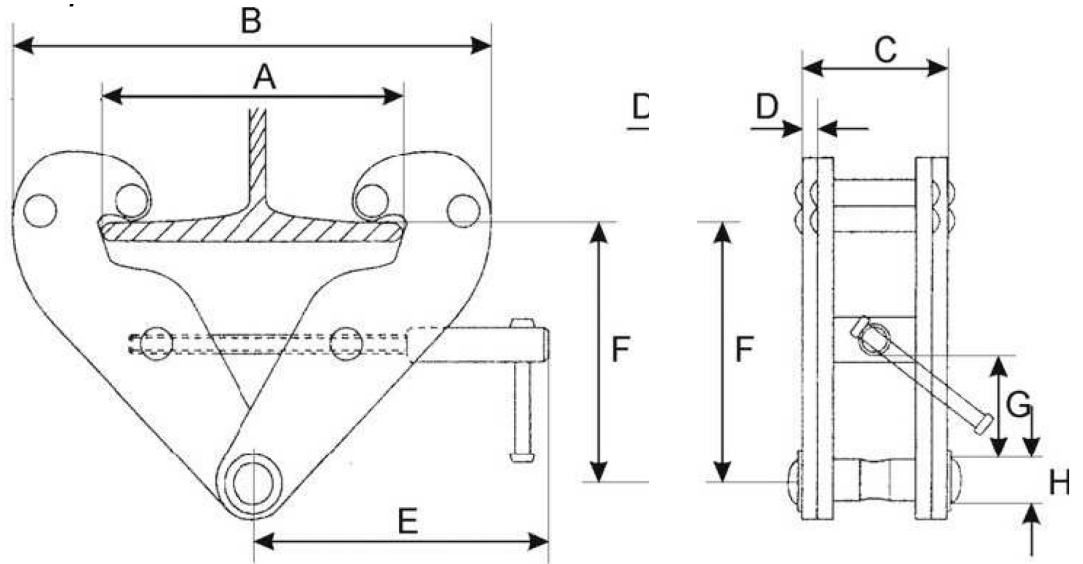
RIGGING PRODUCTS

ELLER® BEAM CLAMP

The ELLER® beam clamp is a simple and safe temporary anchor point. Ideal for quick attachment of loads using threaded spindle. The clamp can be installed within a few simple steps. Just twist and open the spindle, place over the flange and close tightly.

MAIN FEATURES:

- Robust construction, frame is made from solid steel plate and a galvanized spindle;
- Low head room, wide flange width adjustment range, therefore ideal in many situations;
- Black version.



ARTICLE CODE	WLL (t)	BEAM FLANGE WIDTH A (mm)	HEADROOM F (mm)	Ø SUSPENSION BOLT H (mm)	WEIGHT (kg)
ELBC010	1	75 - 230	102 - 154	20	4
ELBC020	2	75 - 230	102 - 154	20	5
ELBC030	3	80 - 345	133 - 223	22	10
ELBC050	5	80 - 345	133 - 223	28	12
ELBC100	10	90 - 350	155 - 234	38	17