



## PROTEUS RAYZOR BLADE S



The **Proteus Rayzor Blade S™** is a striking visual combination of Linear Wash, high intensity Strobe Lines and SparkLED FX inside a compact IP65 linear fixture design. Envisioned to provide the designer unlimited creative control of powerful colors and high-powered strobe effects from a single unit it allows unlimited placement in any outdoor and indoor environment. Protected from dust and water ingress the Rayzor Blade S is part of Elation's industry leading Proteus Range of outdoor luminaires.

This fixture features Elation's unique patented SparkLED™ system and allows impactful Tilt sweep motions. With its wide zoom range from 6 to 45 degrees it provides intense and well-defined mid-air beams and light curtains at over 6,600 lumens as well as an exceptionally wide and even wash coverage, making it a perfect tool from stage washes, mid-air effects or audience blinders, even in adverse outdoor conditions. SparkLEDs offer a prominent and innovative LED pixel effect with dedicated high brightness pixels inside the large front lenses for additional layers of creativity.

Driven by 6, independently controlled, 60W RGBW LEDs, delivering over 6,000 lumens of output with a total power of 360W, the Proteus Rayzor Blade S provides a powerful beam that stands out on any stage. The oversized front lenses create a large visual surface on the fixture that is enhanced by the exclusive patent pending SparkLEDs technology. SparkLEDs consists of individual white LEDs, strategically placed inside the lens itself to create a unique additional layer, allowing designers access to a new and innovative way of creating interest on the stage. Proteus Rayzor fixtures offer this never seen before style of internal lens illumination for depth and visual impact. SparkLEDs are controllable by the lighting console or driven by a multitude of internal FX patterns.

In addition to its powerful wash and SparkLED effects, the Proteus Rayzor Blade S provides two seamless high-intensity strobe lines with a total of 128 cool white LED dots. Flanking the Rayzor lenses across the entire length of the fixture these dual strobe arrays offer incredible visual effects with a multitude of integrated FX or precise pixel control from the lighting console.



### FEATURES

IP65 Protected LED Tilt FX Fixture

6x 60W OSRAM RGBW LED with Pixel Control

24x 2W SparkLED™ Effect with Pixel Control

Dual 64x1W Strobe Pixel Line

Extreme Zoom – 6° for mid-air beam to 45° for even washes

Fast and precise 210° Tilt Rotation



Specifications subject to change without notice ©Elation Professional 07/20/2022

Elation Professional USA | 6122 S. Eastern Ave. | Los Angeles, CA. 90040  
323-582-3322 | 323-832-9142 fax | [www.elationlighting.com](http://www.elationlighting.com) | [info@elationlighting.com](mailto:info@elationlighting.com)

Elation Professional B.V. | Junostraat 2 | 6468 EW Kerkrade, The Netherlands  
+31 45 546 85 66 | +31 45 546 85 96 fax | [www.elationlighting.eu](http://www.elationlighting.eu) | [info@elationlighting.eu](mailto:info@elationlighting.eu)

**SPECIFICATIONS**

**SOURCE**

(6) 60W Osram RGBW LEDs  
 (24) 2W White SparkLED™  
 (128) 1W Strobe LED  
 50,000 Hour Average LED Life\*

\*Test lab conditions. May vary depending on several factors including but not limited to: Environmental Conditions, Power/Voltage, Usage Patterns (On-Off Cycling), Control, and Dimming.

**PHOTOMETRIC DATA**

6,000 Total Lumen Output (RGBW)  
 CRI 80  
 Zoom Range 6° - 45°  
 Colortemperature SparkLED 4000K  
 Colortemperature Strobe Line 6500K

**EFFECTS**

Motorized Zoom  
 Linear Color Temperature Presets (2700-8000K)  
 RGBW Color Mixing and Pixel Control  
 White SparkLED Lens Effect  
 Dual White Strobe Lines (64 pixels per side)  
 Color Presets and Macros  
 Electronic Strobe and Variable Dimming Curves  
 16-bit Dimming  
 Tilt Angle: 192°

**CONTROL / CONNECTIONS**

3 DMX Channel Modes (27/50/106 channels)  
 Pixel controlled Wash, SparkLED and Strobe LED  
 210° Tilt Movement  
 DMX Adjustable Refresh Rate (900 -25000 Hz)  
 (6) Button Touch Panel  
 Full Color 180° Reversible LCD Menu Display  
 RDM Support  
 IP65 5pin XLR DMX In/Out  
 IP65 RJ45 Ethernet In/Out (Art-Net, sACN)  
 IP65 Locking Power Cable In

**SIZE / WEIGHT**

Length: 19.8 in (504mm)  
 Width (Base): 7.6 in (194mm)  
 Width (Head): 6.1 in (155mm)  
 Height (head up): 13.2 in (336mm)  
 Height (head 90 degree): 11.3in (288mm)  
 Weight: 39.4 lbs. (17.9kg)

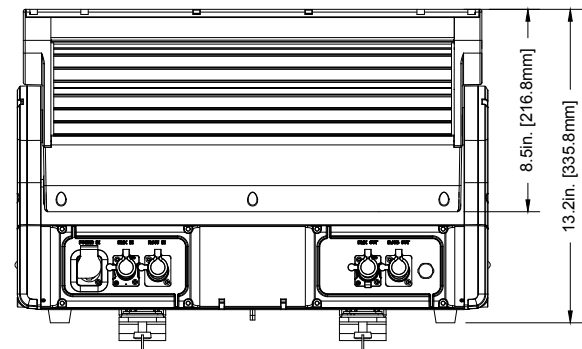
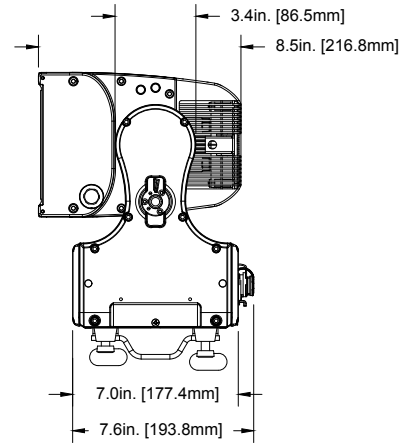
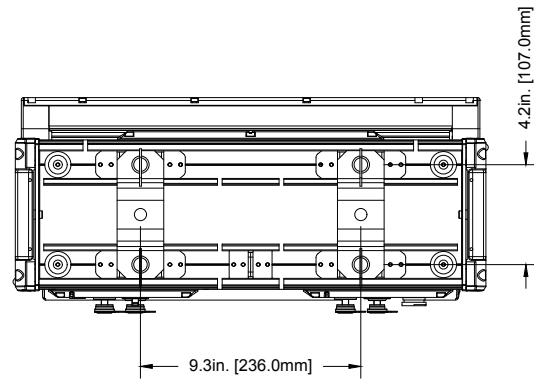
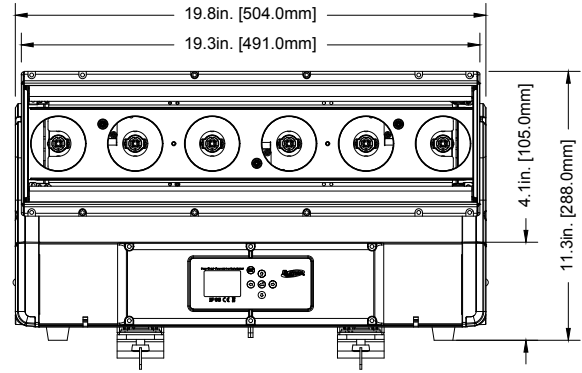
**ELECTRICAL / THERMAL**

AC 100-240V 50/60Hz  
 700W Max Power Consumption

**APPROVALS / RATINGS**

CE | cETLus | IP65 | UKCA

**DIMENSIONAL DRAWING**



\*DRAWINGS NOT TO SCALE

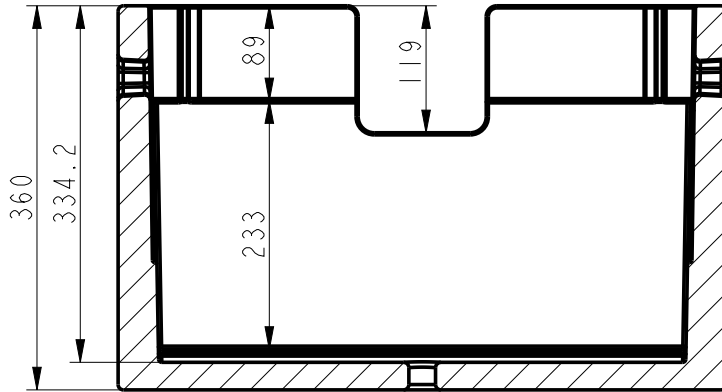
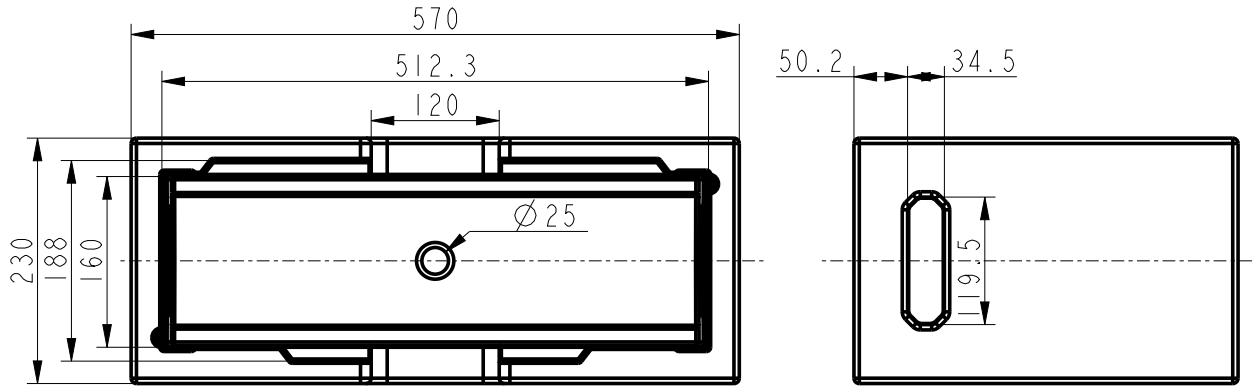
**ORDERING INFORMATION**

PRR052	Proteus Rayzor Blade S (US Sku)
1237000253	Proteus Rayzor Blade S (EU Sku)



**FOAM IN LAY DIMENSIONAL DRAWINGS**

The **Proteus Rayzor Blade S™** fixture ships with a custom fitted polyurethane foam FIL (Foam In Lay) packaging insert, which easily fits into a custom sized flight case (not included), and provides enhanced impact protection during transport.



A - A

