



PROTEUS™  
LUCIUS



The **PROTEUS LUCIUS™** is a powerful yet compact IP65-rated LED profile fixture offering outstanding projection and beam qualities in any environment.

Providing up to 33,500 lumens output from its custom-designed peak field 580W 6,500K LED engine, the PROTEUS LUCIUS is the ideal fixture for any outdoor or indoor application requiring superior output, bright and powerful beams, and quiet operation, as well as stunningly precise gobos and colors. PROTEUS LUCIUS provides the designer a comprehensive FX package with 13 rotating and 7 fixed glass gobos, full animation wheel, overlapping dual prisms, dual frost and a high-speed iris. Its indexable framing system allows full-blackout shutter cuts for precise beam shape control.

With a fast zoom range from 5.5° to 50° out of an impressively compact fixture design, the PROTEUS LUCIUS has the power to cut through and make a statement on any stage. Fully sealed from dust and water, it is a rugged fixture for a wide variety of applications. The PROTEUS LUCIUS ships in a cardboard box with a custom-fitted polyurethane foam FIL (Foam In Lay) insert. The foam insert easily fits into a custom flight case (not included) and provides enhanced impact protection during transport.

#### FEATURES

- IP65 Outdoor Rated**
- High Efficiency 580W 6,500K White LED Engine**
- Up to 33,500 Total Lumen Fixture Output**
- Peak field engine for powerful projection at long distances**
- CMY Color Mixing and Variable CTO**
- 5-Position Color Wheel with High CRI Filter**
- Complete FX System featuring Dual Rotating and Fixed Gobo Wheel, Animation, Iris, Dual Prism, Dual Frost**
- Indexable Full Blackout Framing System**
- Wide Zoom Range from 5.5° to 50°**



**SPECIFICATIONS**

**SOURCE**  
 580W 6,500K Bright White Hotspot LED Engine  
 30,000 Hour Average LED Life\*

\*Test lab conditions. May vary depending on several factors including but not limited to: Environmental Conditions, Power/Voltage, Usage Patterns (On-Off Cycling), Control, and Dimming.

**PHOTOMETRIC DATA**  
 33,500 Total Lumen Fixture Output  
 CRI 71+ (85+ with HCRI Filter)  
 2.5:1 Peak Field Ratio  
 Zoom Range 5.5° - 50°  
 Beam Angle 6° - 36.7°  
 Field Angle 7.6° - 51.3°

**EFFECTS**  
 Motorized Zoom  
 4 Rotating Full Blackout Framing Blades  
 +/-45° Framing Indexing  
 Full 360° Bi-Directional Animation Wheel  
 4-Facet and Linear Rotating Prisms  
 2 Variable Frost Filters (Light and Wash)  
 Internal Color, Framing, Prism, and Frost Macros  
 Motorized Iris with Variable Pulse Effects  
 Variable 16-bit Dimming Curve Modes  
 High Speed Electronic Shutter and Strobe  
 DMX Controllable LED Refresh Rate

**COLOR**  
 CMY Color Mixing  
 Linear CTO Color Correction  
 5 Dichroic Colors including High CRI Filter

**GOBOS**  
 3 Gobo Wheels  
 6 Rotating Gobo (Wheel #1)  
 7 Rotating Gobos (Wheel #2)  
 7 Static Gobos (Wheel #3)

**CONTROL / CONNECTIONS**  
 2 DMX Channel Modes (43/68 Ch.)  
 16-bit Pan, Tilt and Dimming Control  
 Motorized Focus and Auto-Focus Presets  
 DMX, RDM, Art-NET, sACN Protocol Support  
 (6) Button Touch Control Panel  
 Full Color 180° Reversible LCD Menu Display  
 Hibernation Mode (Power Save)  
 IP65 Locking 5pin XLR Connector In/Out  
 IP65 Locking RJ45 Ethernet Connector In/Out  
 IP65 Locking Power Connector In  
 With Wired Digital Communication Network

**SIZE / WEIGHT**  
 Length: 18.41 in (467.67mm)  
 Width: 14.57 in (370mm)  
 Height: 26.8 in (680.60mm)  
 Weight: 89.9 lbs. (40.8 kg)

**ELECTRICAL**  
 AC 100-240V 50/60Hz  
 Max Power Consumption 1000W  
 14°F to 113°F (-10°C to 45°C)  
 BTU/hr (+/- 10%) 3239.5

**APPROVALS / RATINGS**  
 CE | cETLus | IP65



**ORDERING INFORMATION**

<b>PRL546</b>	PROTEUS LUCIUS
<b>PRL613</b>	PROTEUS LUCIUS WMG-HW
<b>TRIGGER CLAMP</b>	Heavy Duty Wrap Around Hook Style Clamp
<b>STR527</b>	5 ft. (1.5m) IP65 5pin XLR Cable

**COLORS, GOBOS, ANIMATION**

**COLOR FLAGS**



**COLOR WHEEL**



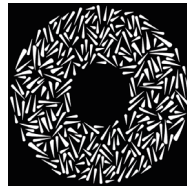
**INTERCHANGEABLE-ROTATING GLASS GOBO WHEEL**



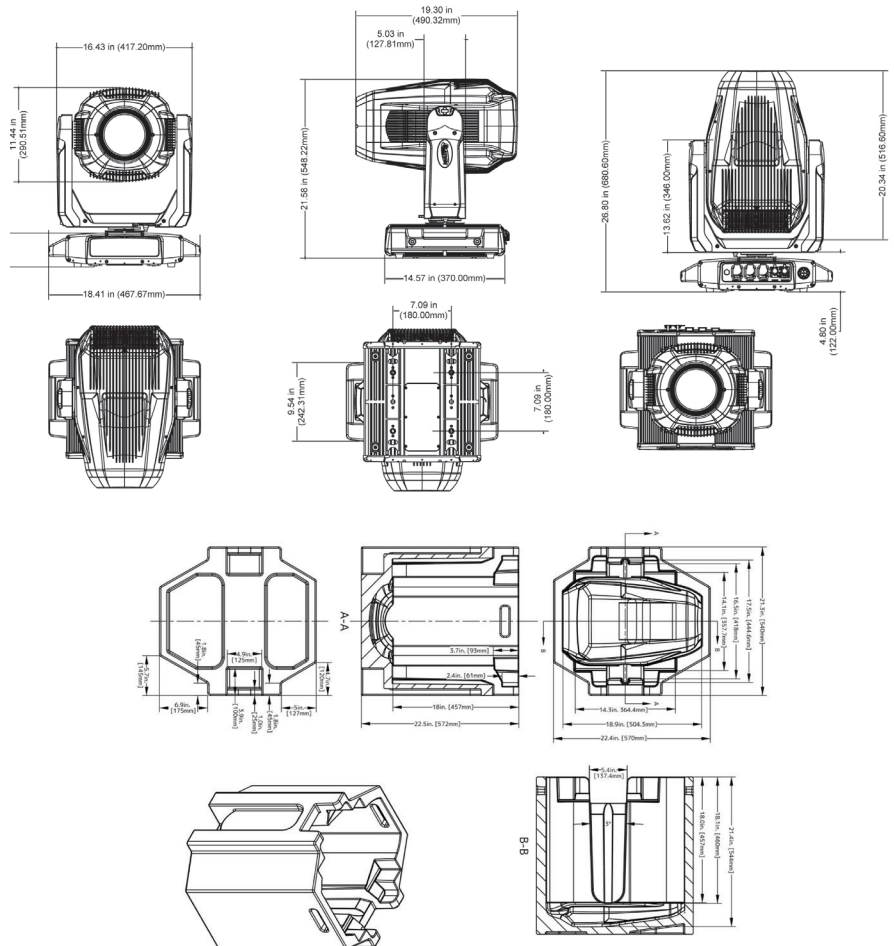
**INTERCHANGEABLE STATIC - FIXED GLASS GOBO WHEEL**



**ANIMATION WHEEL**



**DIMENSIONAL DIAGRAMS**



Specifications are subject to change without notice ©Elation Professional 04/01/22

