

WW PROFILE HP IP™

user manual

©2022 ELATION PROFESSIONAL all rights reserved. Information, specifications, diagrams, images, and instructions herein are subject to change without notice. ELATION PROFESSIONAL logo and identifying product names and numbers herein are trademarks of ELATION PROFESSIONAL. Copyright protection claimed includes all forms and matters of copyrightable materials and information now allowed by statutory or judicial law or hereinafter granted. Product names used in this document may be trademarks or registered trademarks of their respective companies and are hereby acknowledged. All non-ELATION brands and product names are trademarks or registered trademarks of their respective companies.

ELATION PROFESSIONAL and all affiliated companies hereby disclaim all liabilities for property, equipment, building, and electrical damages, injuries to any persons, and direct or indirect economic loss associated with the use or reliance of any information contained within this document, and/or because of the improper, unsafe, insufficient, and negligent assembly, installation, rigging, and operation of this product.

Elation Professional USA | 6122 S. Eastern Ave. | Los Angeles, CA. 90040
 323-582-3322 | 323-832-9142 fax | www.elationlighting.com | info@elationlighting.com

Elation Professional B.V. | Junostraat 2 | 6468 EW Kerkrade, The Netherlands
 +31 45 546 85 66 | +31 45 546 85 96 fax | www.elationlighting.eu | info@elationlighting.eu

Elation Professional Mexico | AV Santa Ana 30 | Parque Industrial Lerma, Lerma, Mexico 52000
 +52 (728) 282-7070

DOCUMENT VERSION



Due to additional product features and/or enhancements, an updated version of this document may be available online. Please scan the QR Code with your mobile device or visit www.elationlighting.com for the latest revision/update of this manual, before installation and/or programming.

Date	Document Version	Software Version ≥	DMX Channel Modes	Notes
10/13/17	1	1.0.0	3 / 6 / 8	Initial release.
11/10/17	1.2	N/C	NO CHANGE	Updated System Menu.
01/25/18	1.4	N/C	NO CHANGE	Updated format.
05/15/18	1.6	N/C	NO CHANGE	Updated format.
10/11/18	1.8	1.0.6	NO CHANGE	Updated System Menu.
12/03/18	2.0	N/C	NO CHANGE	Updated release.
02/20/19	2.2	1.0.9	1 / 3 / 6 / 8	Added 1 Channel DMX mode.
07/12/22	2.4	N/C	NO CHANGE	Updated Dim. Drawings
09/26/22	2.6	N/C	NO CHANGE	Updated Dim. Specs.

CONTENTS

General Information	4
Limited Warranty (USA Only)	6
Safety Guidelines	7
Maintenance Guidelines	8
Fixture Overview	9
Lens and Gobo Holder Installation	10
Fixture Installation	11
System Menu	13
DMX Channel Functions And Values	21
Specifications	22
Optional Accessories	23

GENERAL INFORMATION

INTRODUCTION

Please read and understand the instructions in this manual carefully and thoroughly before attempting to operate this device. These instructions contain important safety and use information.

IP65 RATED

An IP rated lighting fixture is one, which is commonly installed in outdoor environments and has been designed with an enclosure that effectively protects the ingress (entry) of external foreign objects such as dust and water. The **International Protection (IP)** rating system is commonly expressed as "**IP**" (Ingress Protection) followed by two numbers (i.e. IP65) where the numbers define the degree of protection. The first digit (Foreign Bodies Protection) indicates the extent of protection against particles entering the fixture and the second digit (Water Protection) indicates the extent of protection against water entering the fixture. An **IP65** rated lighting fixture is one, which has been designed and tested to protect against the ingress of dust (**6**) and low-pressure water jets from any direction (**5**).



ENSURE ALL CONNECTIONS AND END CAPS ARE PROPERLY SEALED WITH A DIELECTRIC GREASE (AVAILABLE AT MOST ELECTRICAL SUPPLIERS) TO PREVENT WATER CORROSION AND/OR ELECTRICAL SHORT CIRCUIT.

MARINE/COASTAL ENVIRONMENT INSTALLATIONS!

Please note although this fixture is IP rated, the fixture is **NOT** suitable for marine and/or coastal environment installations. Installing this fixture in a marine and/or coastal environment may cause corrosion and/or excessive wear to the interior and/or exterior components of the fixture. Damages and/or performance issues resulting from installation in a marine and/or coastal environment will void the manufactures warranty and will **NOT** be subject to any warranty claims and/or repairs.

OPTIONAL CORROSION-RESISTANT COATING

Optional Corrosion-Resistant Coatings may be available for this fixture. Please consult your **Elation Professional** sales representative for details.

UNPACKING

Every fixture has been thoroughly tested and has been shipped in perfect operating condition. Carefully check the shipping carton for damage that may have occurred during shipping. If the carton appears to be damaged, carefully inspect your unit for damage and be sure all accessories necessary to operate the unit have arrived intact. In the event damage has been found or parts are missing, please contact our customer support team for further instructions. Please do not return this unit to your dealer without first contacting customer support at the number listed below. Please do not discard the shipping carton in the trash. Please recycle whenever possible.

BOX CONTENTS

IP Rated 5pin DMX Cable

IP Rated Power Cable

NOTE: Lens and IP Gobo Rotator Not Included Sold Separately

CUSTOMER SUPPORT

Contact ELATION Service for any product related service and support needs. Also visit forums.elationlighting.com with questions, comments or suggestions.

ELATION SERVICE USA - Monday - Friday 8:00am to 4:30pm PST

323-582-3322 | Fax 323-832-9142 | support@elationlighting.com

ELATION SERVICE EUROPE - Monday - Friday 08:30 to 17:00 CET

+31 45 546 85 63 | Fax +31 45 546 85 96 | support@elationlighting.eu

REPLACEMENT PARTS please visit parts.elationlighting.com

LIMITED WARRANTY (USA ONLY)

- A. Elation Professional hereby warrants, to the original purchaser, Elation Professional products to be free of manufacturing defects in material and workmanship for a period of two years (730 days), and Elation Professional product rechargeable batteries to be free of manufacturing defects in material and workmanship for a period of six months (180 days), from the original date of purchase. This warranty excludes discharge lamps and all product accessories. This warranty shall be valid only if the product is purchased within the United States of America, including possessions and territories. It is the owner's responsibility to establish the date and place of purchase by acceptable evidence, at the time service is sought.
- B. For warranty service, send the product only to the Elation Professional factory. All shipping charges must be pre-paid. If the requested repairs or service (including parts replacement) are within the terms of this warranty, Elation Professional will pay return shipping charges only to a designated point within the United States. If any product is sent, it must be shipped in its original package and packaging material. No accessories should be shipped with the product. If any accessories are shipped with the product, Elation Professional shall have no liability what so ever for loss and/or or damage to any such accessories, nor for the safe return thereof.
- C. This warranty is void if the product serial number and/or labels are altered or removed; if the product is modified in any manner which Elation Professional concludes, after inspection, affects the reliability of the product; if the product has been repaired or serviced by anyone other than the Elation Professional factory unless prior written authorization was issued to purchaser by Elation Professional; if the product is damaged because not properly maintained as set forth in the product instructions, guidelines and/or user manual.
- D. This is not a service contract, and this warranty does not include any maintenance, cleaning or periodic check-up. During the periods as specified above, Elation Professional will replace defective parts at its expense, and will absorb all expenses for warranty service and repair labor by reason of defects in material or workmanship. The sole responsibility of Elation Professional under this warranty shall be limited to the repair of the product, or replacement thereof, including parts, at the sole discretion of Elation Professional. All products covered by this warranty were manufactured after January 1, 1990, and bare identifying marks to that effect.
- E. Elation Professional reserves the right to make changes in design and/or performance improvements upon its products without any obligation to include these changes in any products theretofore manufactured.
- F. No warranty, whether expressed or implied, is given or made with respect to any accessory supplied with the products described above. Except to the extent prohibited by applicable law, all implied warranties made by Elation Professional in connection with this product, including warranties of merchantability or fitness, are limited in duration to the warranty periods set forth above. And no warranties, whether expressed or implied, including warranties of merchantability or fitness, shall apply to this product after said periods have expired. The consumer's and/or dealer's sole remedy shall be such repair or replacement as is expressly provided above; and under no circumstances shall Elation Professional be liable for any loss and/or damage, direct and/or consequential, arising out of the use of, and/or the inability to use, this product.
- G. This warranty is the only written warranty applicable to Elation Professional products and supersedes all prior warranties and written descriptions of warranty terms and conditions heretofore published.

WARRANTY RETURNS

All returned service items whether under warranty or not, must be freight pre-paid and accompany a return authorization (R.A.) number. The R.A. number must be clearly written on the outside of the return package. A brief description of the problem as well as the R.A. number must also be written down on a piece of paper and included in the shipping container. If the unit is under warranty, you must provide a copy of your proof of purchase invoice. Items returned without a R.A. number clearly marked on the outside of the package will be refused and returned at customer's expense. You may obtain a R.A. number by contacting customer support. **ONLY** Use the original packaging and materials to transport the fixture in for service.

SAFETY GUIDELINES

This fixture is an extremely sophisticated piece of electronic equipment. To guarantee a smooth operation, it is important to follow all instructions and guidelines in this manual. The manufacturer of this device is not responsible for injury and/or damages resulting from the misuse of this fixture due to the disregard of the information printed in this manual. Only qualified and/or certified personnel should perform installation of this fixture and only the original rigging parts (omega brackets) included with this fixture should be used for installation. Any modifications to the fixture and/or the mounting hardware included will void the original manufacturer's warranty and increase the risk of damage and/or personal injury.



PROTECTION CLASS 1 - FIXTURE MUST BE PROPERLY GROUNDED

DO NOT PLUG FIXTURE INTO A DIMMER PACK!

NEVER OPEN THIS FIXTURE WHILE IN USE!

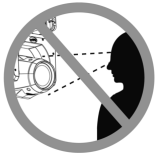
UNPLUG POWER BEFORE SERVICING FIXTURE!

NEVER TOUCH FIXTURE DURING OPERATION, AS IT MAY BE HOT!

KEEP FLAMMABLE MATERIALS AWAY FROM FIXTURE!



ENSURE ALL CONNECTIONS AND END CAPS ARE PROPERLY SEALED WITH A DIELECTRIC GREASE (AVAILABLE AT MOST ELECTRICAL SUPPLIERS) TO PREVENT WATER CORROSION AND/OR ELECTRICAL SHORT CIRCUIT.



NEVER LOOK DIRECTLY INTO THE LIGHT SOURCE!

RETINA INJURY RISK - MAY INDUCE BLINDNESS!

SENSITIVE PERSONS MAY SUFFER AN EPILEPTIC SHOCK!

DO NOT TOUCH the fixture housing during operation. Turn OFF the power and allow approximately 15 minutes for the fixture to cool down before serving.

DO NOT shake fixture, avoid brute force when installing and/or operating fixture.

DO NOT operate fixture if the power cord has become frayed, crimped, damaged and/or if any of the power cord connectors are damaged and do not insert into the fixture securely with ease. **NEVER** force a power cord connector into the fixture. If the power cord or any of its connectors are damaged, replace it immediately with a new one of similar power rating.

DO NOT block air ventilation slots. All air/fan inlets must remain clean and never blocked.

Allow approx. 6" (15cm) between fixture and other devices or a wall for proper cooling.

When installing fixture in a suspended environment, always use mounting hardware that is no less than M10 x 25 mm, and always install fixture with an appropriately rated safety cable.

Always disconnect fixture from main power source before performing any type of service and/or cleaning procedure. Only handle the power cord by the plug end, never pull out the plug by tugging the wire portion of the cord.

During the initial operation of this fixture, a light smoke or smell may emit from the interior of the fixture. This is a normal process and is caused by excess paint in the interior of the casing burning off from the heat associated with the lamp and will decrease gradually over time.

Consistent operational breaks will ensure fixture will function properly for many years.

MAINTENANCE GUIDELINES



DISCONNECT POWER BEFORE PERFORMING ANY MAINTENANCE!

CLEANING

Frequent cleaning is recommended to insure proper function, optimized light output, and an extended life. The frequency of cleaning depends on the environment in which the fixture operates: damp, smoky or particularly dirty environments can cause greater accumulation of dirt on the fixture's optics. Clean the external lens surface at least every 20 days with a soft cloth to avoid dirt/debris accumulation.

NEVER use alcohol, solvents, or ammonia-based cleaners.

MAINTENANCE

Regular inspections are recommended to insure proper function and extended life.

There are no user serviceable parts inside this fixture, please refer all other service issues to an authorized Elation service technician. Should you need any spare parts, please order genuine parts from your local Elation dealer.

Please refer to the following points during routine inspections:

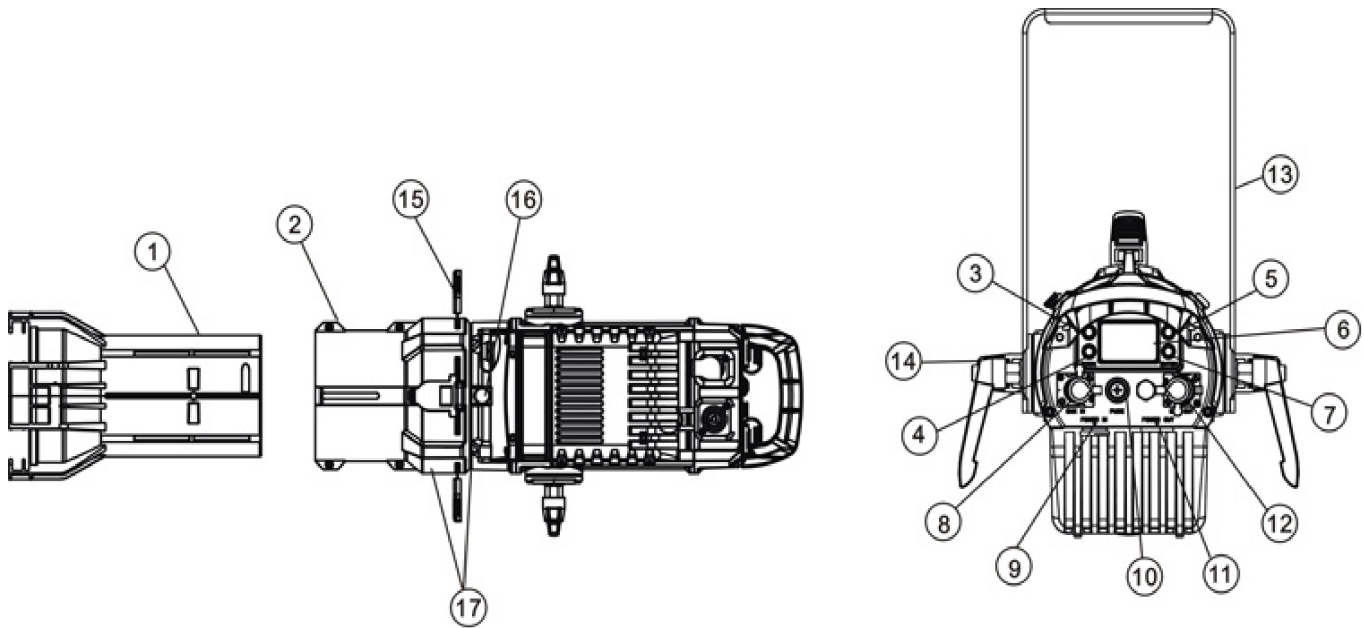
A detailed electric check by an approved electrical engineer every three months, to make sure the circuit contacts are in good condition and prevent overheating.

Be sure all screws and fasteners are securely tightened at all times. Loose screws may fall out during normal operation resulting in damage or injury as larger parts could fall.

Check for any deformations on the housing, color lenses, rigging hardware and rigging points (ceiling, suspension, trussing). Deformations in the housing could allow for dust to enter into the fixture. Damaged rigging points or unsecured rigging could cause the fixture to fall and seriously injure a person(s).

Electric power supply cables must not show any damage, material fatigue or sediments. **NEVER** remove the ground prong from the power cable.

FIXTURE OVERVIEW



1. Lens (not included)

2. FOCUS

3. UP Button

4. DOWN Button

5. MODE/ESC Button

6. LCD Menu Control Display

7. ENTER Button

8. 5pin DMX IN

9. Power In

10. FUSE

11. Power Out

12. 5pin DMX OUT

13. Mounting Yoke

14. Adjustable Yoke

15. Blade Shutters

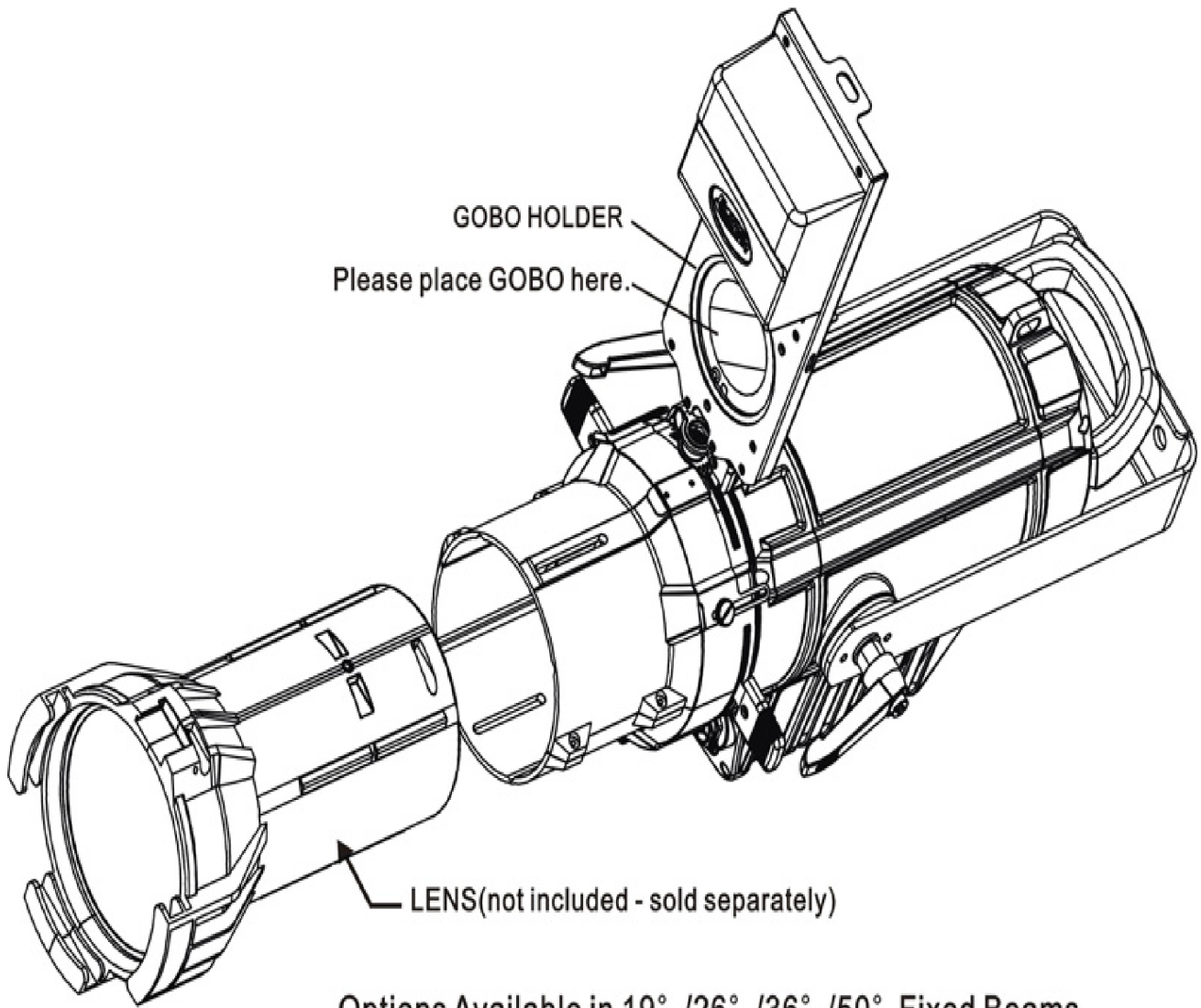
16. Lens Rotation

17. Rotation

18. Static Gobo/Gobo Rotator Slot*

***Static Gobo Holder / Gobo Rotator Not Included**

LENS AND GOBO HOLDER INSTALLATION

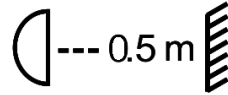


***Static Gobo Holder / IP Gobo Rotator Not Included**

FIXTURE INSTALLATION



WARNING



Minimum distance to lighted objects 0.5 meters.

Minimum distance of inflammable materials from the surface 0.5m.



FLAMMABLE MATERIAL WARNING

Keep fixture minimum 5.0 feet (1.5m) away from flammable materials and/or pyrotechnics.



ELECTRICAL CONNECTIONS

A qualified electrician should be used for all electrical connections and/or installations.



ENSURE ALL CONNECTIONS AND END CAPS ARE PROPERLY SEALED WITH A NON-CONDUCTIVE DIELECTRIC GREASE (AVAILABLE AT MOST ELECTRICAL SUPPLIERS) TO PREVENT WATER INGRESS/CONDENSATION AND/OR CORROSION.



USE CAUTION WHEN POWER LINKING OTHER MODEL FIXTURES AS THE POWER CONSUMPTION OF OTHER MODEL FIXTURES MAY EXCEED THE MAX POWER OUTPUT ON THIS FIXTURE. CHECK SILK SCREEN FOR MAX AMPS.



DO NOT INSTALL THE FIXTURE IF YOU ARE NOT QUALIFIED TO DO SO!

Fixture **MUST** be installed following all local, national, and country commercial electrical and construction codes and regulations.

Before rigging/mounting a single fixture or multiple interconnected fixtures for custom matrix designs to any metal truss/structure or placing the fixture(s) on any surface, a professional equipment installer **MUST** be consulted to determine if the metal truss/structure or surface is properly certified to safely hold the combined weight of the fixture(s), clamps, cables, and accessories.

Fixture ambient operating temperature range is **14° to 113°F. (-10° to 45°C)**

Do not use the fixture under or above this temperature.

Fixture(s) should be installed in areas outside walking paths, seating areas, or away from areas where unauthorized personnel might reach the fixture by hand.

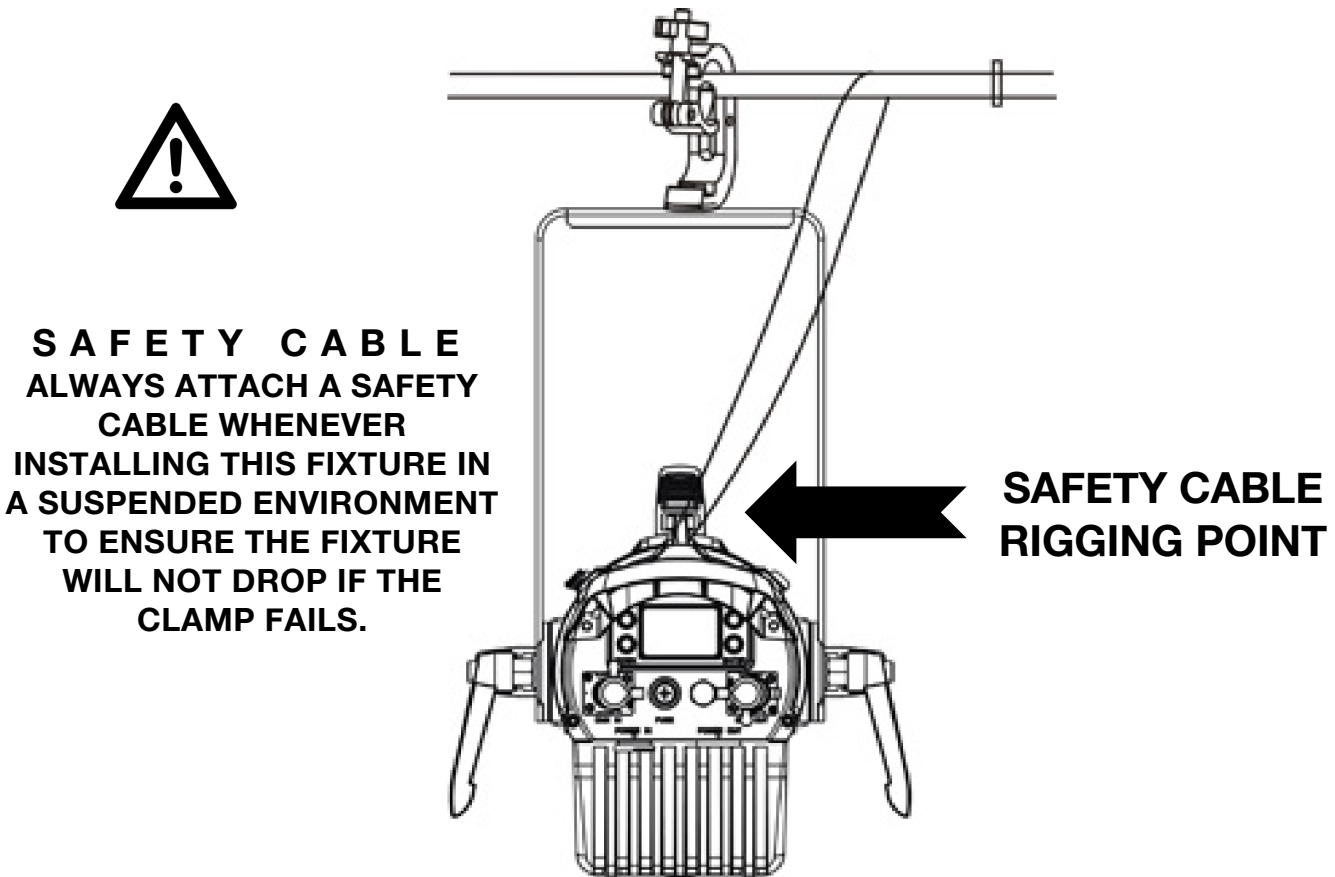
NEVER stand directly below the fixture(s) when rigging, removing or servicing.

Overhead fixture installation must always be secured with a secondary safety attachment, such as an appropriately rated safety cable that meets all local, national, and country codes and regulations. Allow approximately 15 minutes for the fixture to cool down before serving.

FIXTURE INSTALLATION

CLAMP MOUNTING

This fixture includes an adjustable mounting yoke and safety-cable rigging-point attached to the fixture (see the illustration below. Note that a safety cable is not included). When mounting this fixture to truss, be sure to secure an appropriately rated clamp (not included) to the yoke using an M10 screw, and attach a **SAFETY CABLE** to the fixture safety cable rigging point.



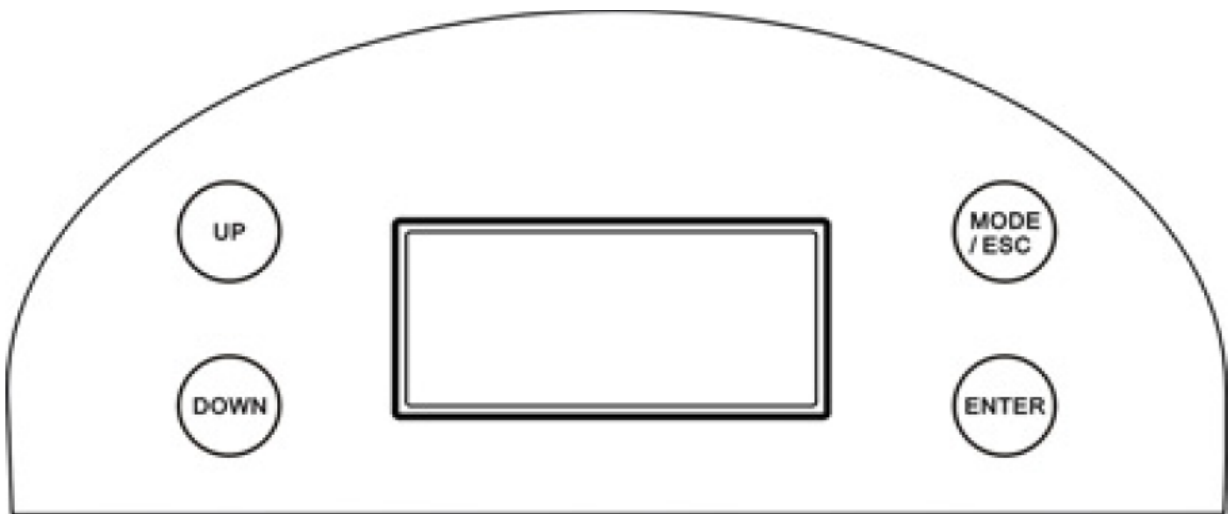
RIGGING

Overhead rigging requires extensive experience, including amongst others calculating working load limits, installation material being used, and periodic safety inspection of all installation material and the fixture. If you lack these qualifications, do not attempt the installation yourself. Improper installation can result in bodily injury.

SYSTEM MENU

The fixture includes an easy to navigate system menu. The control panel (see image below) located on the front of the fixture, provides access to the main system menu and is where all necessary system adjustments are made to the fixture. During normal operation, pressing **MODE/ESC** button once will access the fixture's main menu. Once in the main menu you can navigate through the different functions and access the sub-menus with the **UP**, **DOWN**, **RIGHT**, and **LEFT** buttons. Once you reach a field that requires adjusting, press the **ENTER** button to activate that field and use the **UP** and **DOWN** buttons to adjust the field. Pressing the **ENTER** button once more will confirm your setting. You may exit the main menu at any time without making any adjustments by pressing the **MODE/ESC** button.

To access the LCD Menu Control Display via the internal battery, press and hold the **MODE/ESC** button for 3 seconds. The LCD Menu Control Display will shut **OFF** automatically about 1 minute from the last button press.



SYSTEM MENU - Supports Software Versions: ≥1.0.0

Features are subject to change without any prior written notice.

MAIN MENU	SUB MENU	OPTIONS / VALUES (Default Settings in BOLD)		DESCRIPTION	
FuncMode	Address	001~XXX		DMX Address Setting	
	ValuDisp	=All Ch...		DMX Value Display	
	SetSecondary	Secondary1, Secondary2, Secondary3		Secondary Setting	
	AutoProg	Primary / Alone		Auto Program	
Info	TimeInfo	Cur Time	XXXX(Hours)	Power On Running Time	
		TotalHrs	XXXX(Hours)	Fixture Running Time	
		Last Hrs	XXXX(Hours)	Fixture Last Times Clear	
		TimePass	Password=XXX	Timer Password 038	
		Clr Last	ON/OFF	Clear Fixture Last Time	
	TempInfo	HeadTemp	XXX C° / F°	Temperature in Fixture	
	Soft Ver	=1.0.2 (or greater)		Software Version	
Fan Info	stand by , fault, xxxRPM				
Persnal	Stat Set	Addr DMX	ON/OFF	Address Via DMX	
		NoDMXSta	CloShut/ Hold /Auto	Auto Run If No DMX	
	FansCtrl	Auto , Full, Theatre		Fans Control Settings	
	Disp Set	Off Time	02~60m	OFF	Display Shut Off Time
		Key Lock	ON/OFF		LCD Control Panel Key Lock
	Temp C/F	Cels/ Fahren		Temperature Switch Between C° / F°	
	Man Hold	ON / OFF		Keep Man. Settings When Power Loss	
	Refresh	Fq=900-(1200)-1500, 2.5K, 4K, 5K, 10K, 15K, 20K, 25K		Refresh Frequency Rate Setting	
	Gamma	Gama = 2.0, 2.2 , 2.4, 2.6, 2.8		Gamma Brightness Setting	
ResetDef	ON/OFF	Passcode 011	Restore factory settings		
Reset	ALL	All		Reset All Motors	
	Gobos	Gobos		Reset Gobo Rotator	
ManCntrl	ManCntrl	Auto, White, WhiteFi, GoboRot, Strobe, Dimmer, DimFine, DimMode		Adjust Functions Manually	
	Calibrat	Password	Passcode 050	Calibration Password 050	
White [255-0]		Calibrate LED			
Mode Set	UserMode	3CH , 6CH, 8CH		DMX Channel Modes	
Dimming	Dimming	Standar , Stage, TV, Archite, Theatre		Dimming Modes	
EditProg	Sel Prog	ProPart1 = Prog 1~10 (Program 1)		Select Programs To Be Run	
		ProPart2 = Prog 1~10 (Program 2)			
		ProPart3 = Prog 1~10 (Program 3)			
	EditProg	Prog 1	ProgTest = T01SCxxx	Testing Program	
		:	EdStep 01 = S01SCxxx	Program In Loop	
		Prog 10	EdStep 64 = S64SCxxx	Save and Exit	
EditScen	Scene 001 ~ Scene 250	Cool = Cool=xxx ~ InByOut = Time=xx.xs	Save and Automatically Return Manual Scenes Edit		
RecCntrl	XX~XX	Automatic Scenes Recorder			

SYSTEM MENU CHANGE WITH SOFTWARE UPDATE VERSION ≥1.0.6

See highlighted menu items below which have been updated with this software update.

SYSTEM MENU - Supports Software Versions: ≥1.0.6				
Features are subject to change without any prior written notice.				
MAIN MENU	SUB MENU	OPTIONS / VALUES (Default Settings in BOLD)		DESCRIPTION
Persnal	Stat Set	Addr DMX	ON/OFF	Address Via DMX
		NoDMXSta	CloShut/ Hold /Auto	Auto Run If No DMX
	Serv Set	Password	Password=XXX	RDM UID Password 050
		RDM UID		RDM UID
Refresh	Fq=900-(1200)-1500, 2.5K, 4K, 5K, 6K , 10K, 15K, 20K, 25K		Refresh Frequency Rate Setting	
Adjust	ManCntrl	Auto, White, WhiteFi, GoboRot, Strobe, Dimmer, DimFine, DimMode		Adjust Functions Manually
	Calibrat	Password	Passcode 050	Calibration Password 050
		White [255-0]		

Persnal - Stat Set - Addr DMX

When ON, define the desired fixture DMX address via an external controller.

NOTE: This process assumes the fixture DMX address is set to 001. If fixture DMX address is not at 001, you must adjust the channel numbers listed below accordingly in order for this feature to work.

For example: if your fixture address is 010, then Channel 1 becomes Channel 10, Channel 2 becomes Channel 11, and Channel 3 becomes Channel 12.

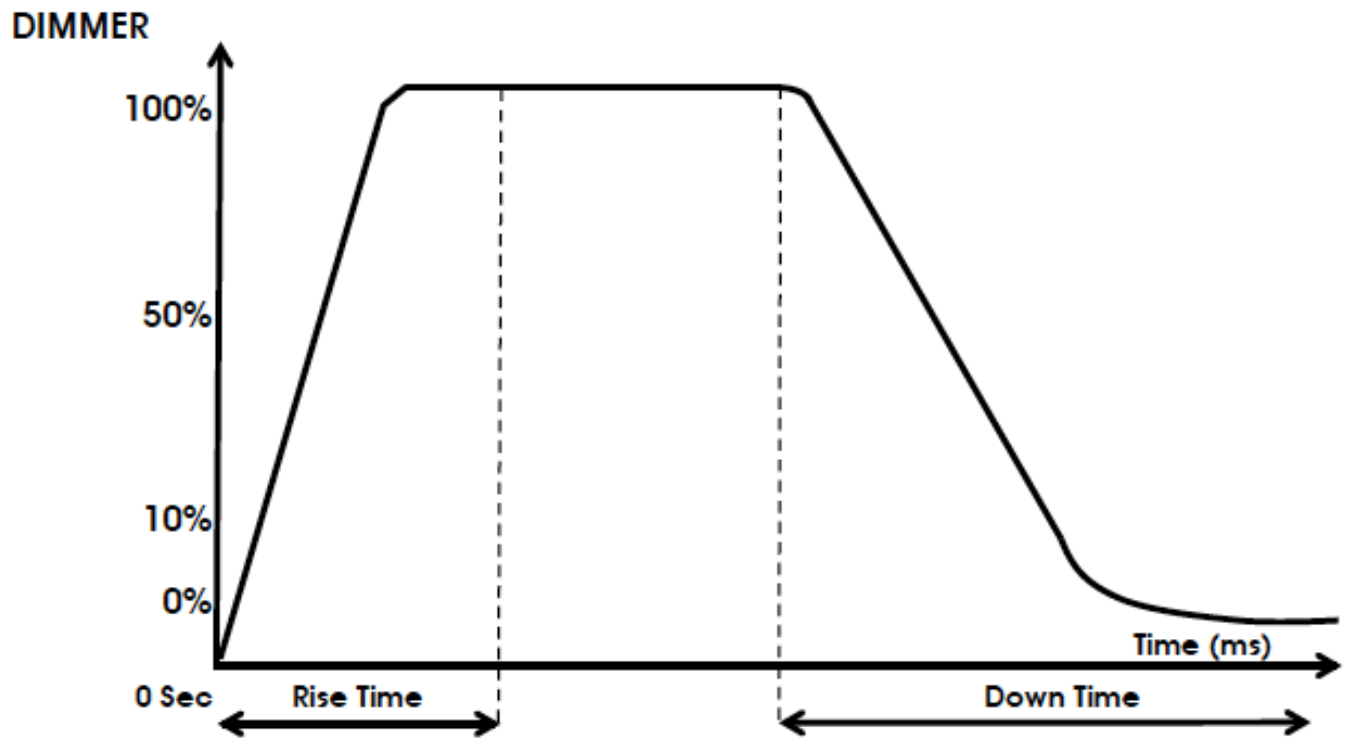
1. Connect the fixture to the external controller and power ON.
2. Set the DMX value of **Channel 1** on the controller to **(7)**.
3. Set the DMX value of **Channel 2** on the controller to **(7)** or **(8)**.
When set to **(7)**, the DMX address can be set between **(1)** and **(255)**.
When set to **(8)**, the DMX address can be set between **(256)** and **(511)**.
4. Using **Channel 3** on the controller set the desired DMX address of the fixture.

Example 1: If the desired DMX address is **57**, set **Channel 1** to a value of **(7)**, set **Channel 2** to a value of **(7)**, and then set **Channel 3** to a value of **(57)**.

Example 2: If the desired DMX address is **420**, set **Channel 1** to a value of **(7)**, set **Channel 2** to a value of **(8)**, and then set **Channel 3** to a value of **(164)**. (256+164=420)

5. After setting **Channel 3** to the desired DMX address value, wait approximately 20-45 seconds for the new address to be assigned to the fixture.

Dimming – DimModes



Dimming Curve Ramp Effect	0 sec Fade Time		1 sec Fade Time	
	Rise Time (ms)	Down Time (ms)	Rise Time (ms)	Down Time (ms)
Standard (default)	0	0	0	0
Stage	780	1100	1540	1660
TV	1180	1520	1860	1940
Architectural	1380	1730	2040	2120
Theatre	1580	1940	2230	2280

Select dimming modes (Standar, Stage, TV, Archite, Theatre).

Persnal - Reset Default (011)



ONLY QUALIFIED TECHNICIANS SHOULD PERFORM THIS FUNCTION.

NOTE: SAVED WHITE BALANCE IS ERASED AFTER A RESET IS PERFORMED.

This function restores all fixture settings to the factory default settings. The password is **011** and must be entered each time a reset is performed.

EditProg – Sel Prog

Select one of the (10) user defined internal Auto Programs.

EditProg – EditProg

Edit any of the (10) user defined internal Auto Programs.

EditProg – EditScen

Edit any of the (250) scenes of the internal Auto Programs.

EditProg – RecCntrl

The fixture features an integrated DMX-recorder by which you can transmit the programmed scenes from your DMX-controller to the moving head. Adjust the desired scene numbers via the encoder (from – to). When you call up the scenes at your controller, they will automatically be transmitted to the moving head.

EDIT PROGRAM – Record Controller – Working With Built In Programs

A Primary unit can send up to 3 different data groups to the Secondary units, i.e. a Primary unit can start 3 different Secondary units, which run 3 different programs. The Primary unit sends the 3 program parts in a continuous loop.



The Secondary unit receives data from the Primary unit according to the group which the Secondary unit was assigned to. If e.g. a Secondary unit is set to “**Secondary 1**” in the menu “**Set to Secondary**”, the Primary unit sends “**Auto Program Part 1**” to the Secondary unit.

If set to “**Secondary 2**”, the Secondary unit receives “**Auto Program Part 2**”.

To start an Auto Program, proceed as follows:

1. Secondary Setting

- Select “**Function Mode**”.
- Press **ENTER** to confirm.
- Select “**Set to Secondary**”.
- Press **ENTER** to confirm.
- Select “**Secondary 1**”, “**Secondary 2**” or “**Secondary 3**”.
- Press **ENTER** to confirm.
- Press **MODE/ESC** in order to return to the main menu.

2. Automatic Program Run

- Select “**Function Mode**”.
- Press **ENTER** to confirm.
- Select “**Auto Program**”.
- Press **ENTER** to confirm.
- Select “**Primary**” or “**Alone**”.
- Press **ENTER** to confirm.
- Press **MODE/ESC** in order to return to the main menu.

3. Program Selection for Auto Pro Part

- Select “**Edit Program**”.
- Press **ENTER** to confirm.
- Select “**Select Programs**”.
- Press **ENTER** to confirm.
- Select “**Auto Pro Part 1**”, “**Auto Pro Part 2**” or “**Auto Pro Part 3**”, and select which Secondary program is to be sent. Selection “**Part 1**” means, that the Secondary unit runs the same program as the primary units.
- Press **ENTER** to confirm.
- Press **MODE/ESC** in order to return to the main menu.

4. Program Selection for Edit Program

- Select “**Edit Program**”.
- Press **ENTER** to confirm.
- Select “**Edit Program**”.
- Press **ENTER** to confirm.
- Select the desired program to edit specific scenes into a specific program.
- Press **ENTER** to confirm.
- Press **MODE/ESC** in order to return to the main menu.

5. Automatic Scene Recording

- Select “**Edit Program**”.
- Press **ENTER** to confirm.
- Select “**Edit Scenes**”.
- Select desired scene numbers. A maximum of 250 scenes can be programmed.
- Press **ENTER** to confirm.
- Press **MODE/ESC** in order to return to the main menu.

EDIT PROGRAM – Record Controller – Working With Built-In Program [continued]

Example:

Program 2 includes scenes: 10, 11, 12, & 13

Program 4 includes scenes: 8, 9, & 10

Program 6 includes scenes: 12, 13, 14, & 15

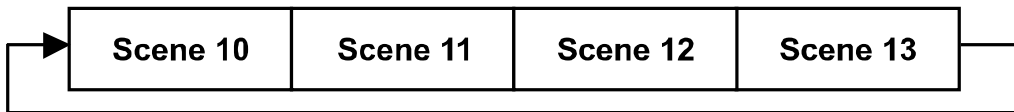
Auto Pro Part 1 is Program 2

Auto Pro Part 2 is Program 3

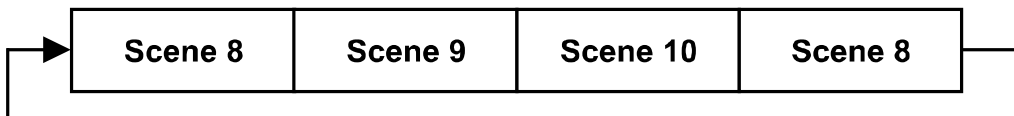
Auto Pro Part 3 is Program 6

The 3 Secondary groups run the Auto Program in certain time segments. (See diagram below)

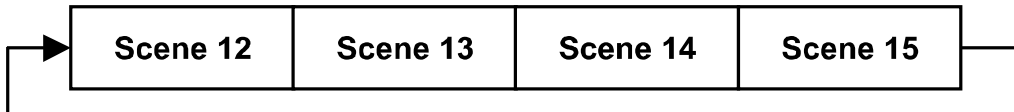
Part 1:



Part 2:



Part 3:



DMX CHANNEL FUNCTIONS AND VALUES

RELATION WW PROFILE HP IP					
DMX Channel Values / Functions (8 Total DMX Channels)					
Supports Software Versions: ≥ 1.0.0					
CH1 MODE ADDED WITH SOFTWARE UPDATE VERSION ≥1.09					
MODE / CHANNEL				VALUE	FUNCTION
1CH	3CH	6CH	8CH		
1	1	1	1	0-255	LED INTENSITY Intensity 0 to 100%
N/A	N/A	N/A	2	0-255	LED FINE INTENSITY FINE Intensity Adjustment
N/A	2	2	3	0-127	GOBO ROTATOR GOBO Indexing
				128-189	Clockwise Rotation FAST to SLOW
				190-193	NO Rotation
				194-255	Counter-Clockwise Rotation SLOW to FAST
N/A	N/A	3	4	0-31	STROBE LED OFF
				32-63	LED ON
				64-95	Strobe Effect SLOW to FAST
				96-127	LED ON
				128-159	Pulse Effect In Sequences
				160-191	LED ON
				192-223	Random Strobe Effect SLOW to FAST
				224-255	LED ON
N/A	N/A	4	5	0-255	DIMMER Dimmer 0 to 100%
N/A	N/A	N/A	6	0-255	DIMMER FINE Dimmer FINE Adjustment
N/A	N/A	5	7	0-20	DIMMING CURVES STANDARD
				21-40	STAGE
				41-60	TV
				61-80	ARCHITECTURAL
				81-100	THEATRE
				101-255	Default to Unit Dimming Curve Setting
N/A	3	6	8	0-79	SPECIAL CONTROL Normal
				80-84	ALL Motor Reset
				85-87	NO Function
				88-90	Engage Scene By Input
				91-93	NO Function
				94-96	Store Scene 1 into Internal Memory
				97-99	NO Function
				100-119	Internal Program 1 (Scene 1~8)
				120-139	Internal Program 2 (Scene 9~16)
				140-159	Internal Program 3 (Scene 17~24)
				160-179	Internal Program 4 (Scene 25~32)
				180-199	Internal Program 5 (Scene 33~40)
				200-219	Internal Program 6 (Scene 41~48)
				220-239	Internal Program 7 (Scene 49~56)
				240-255	NO Function

SPECIFICATIONS

SOURCE

High Power 130W 3,000K Warm White LED Engine
50,000 Hour Average LED Life*

*May vary depending on several factors including but not limited to:
Environmental Conditions, Power/Voltage, Usage Patterns (On-Off Cycling), Control and Dimming.

PHOTOMETRIC DATA

>91CRI | 10,000+ Total Lumens

EFFECTS

Electronic Strobe and 16bit Dimming
Selectable Dimming Curve Modes

GOBOS

Supports "B" Size Metal Gobos**
IP65 Rated DMX Controlled Dual Gobo Rotator***

Gobos and Holder not included. *Rotator Sold Separately

CONTROL / CONNECTIONS

4 DMX Channel Modes (1 / 3 / 6 / 8)
Adjustable Refresh Rates
Adjustable Gamma Brightness
4 Button Control Panel / LED Menu Display
IP Rated 5pin DMX In/Out / IP65 Locking Power Cable In/Out
With Wired Digital Communication Network

SIZE / WEIGHT

Length: 11.79" (299.5mm)
Width: 21.79" (553.55mm)
Vertical Height: 18.11" (460mm)
Weight: 19.40 lbs. (8.8kg)

ELECTRICAL / THERMAL

Quiet Fan Cooling
AC 100-240V - 50/60Hz
170W Max Power Consumption
14° to 113°F (-10° to 45°C)

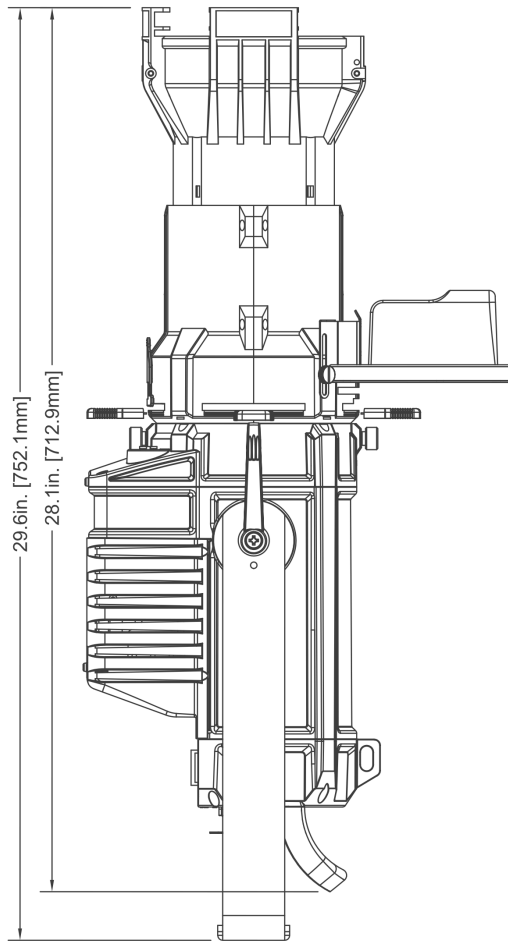
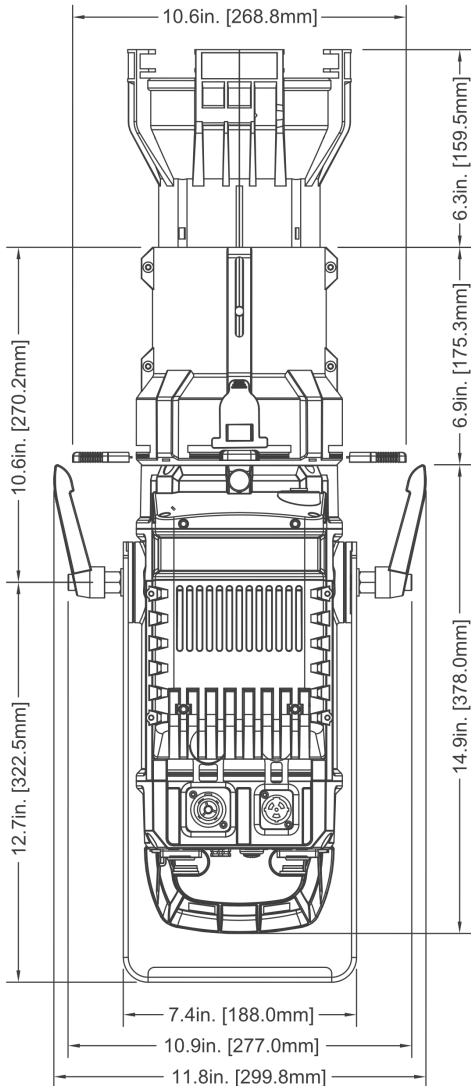
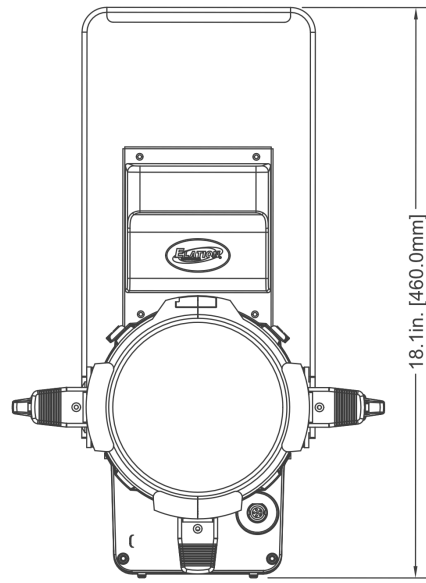
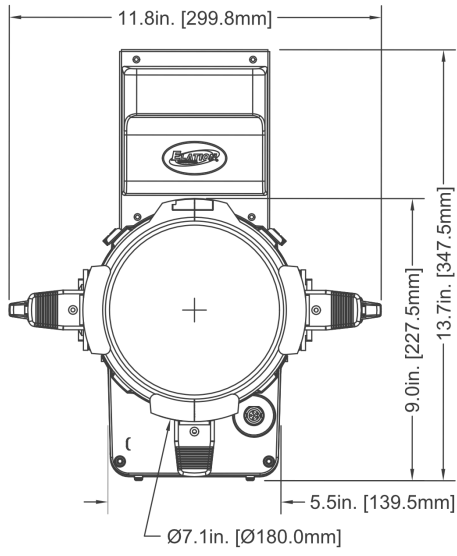
APPROVALS / RATINGS

CE | cETLus | IP65



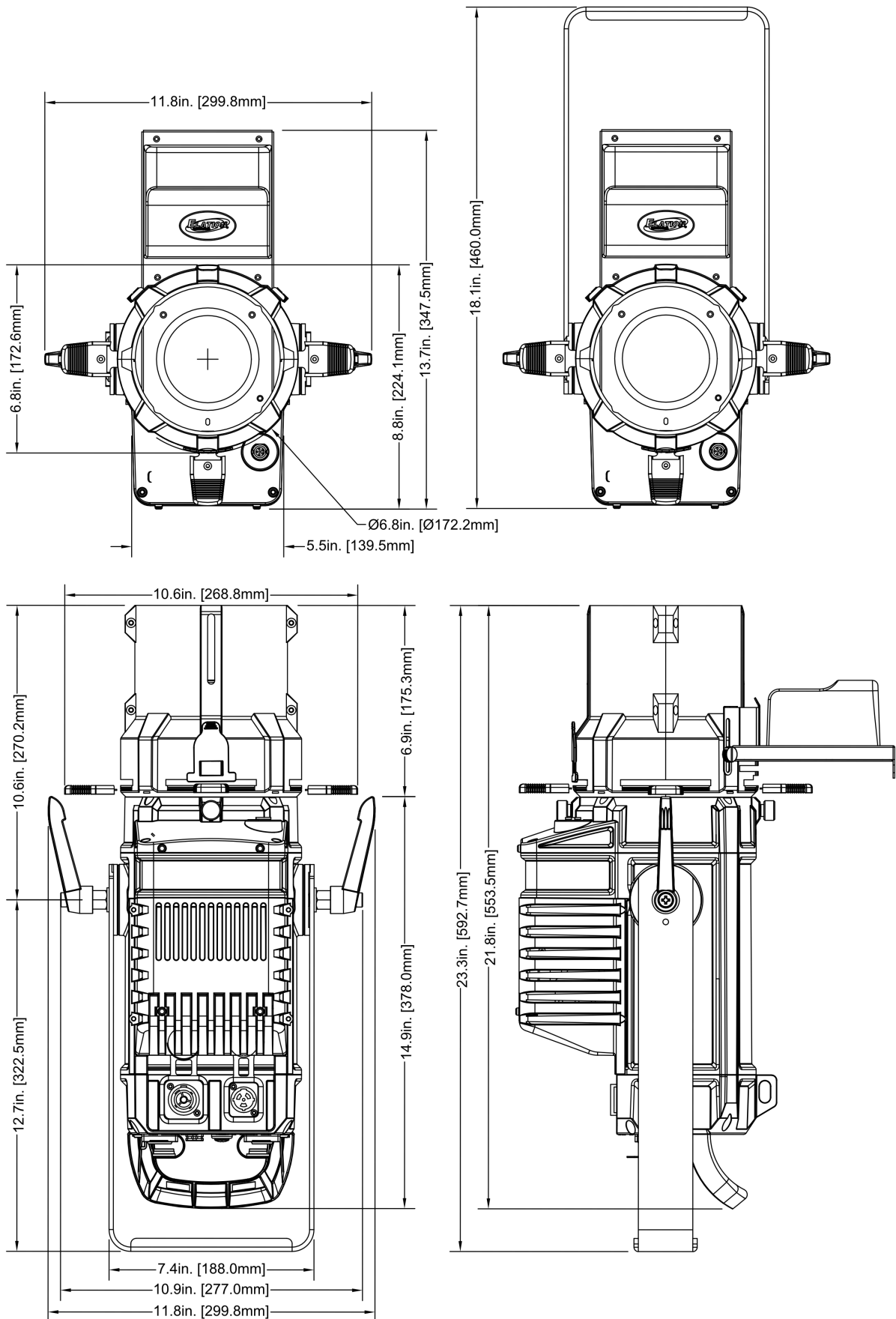
Specifications and improvements in the design of this unit and this manual are subject to change without any prior written notice.

DIMENSIONAL DRAWINGS



Specifications and improvements in the design of this unit and this manual are subject to change without any prior written notice.

DIMENSIONAL DRAWINGS



Specifications and improvements in the design of this unit and this manual are subject to change without any prior written notice.

OPTIONAL ACCESSORIES

ORDER CODE	ITEM
QUICK RIG CLAMP	Low Profile Quick Release Clamp
IPR701	IP65 Rated DMX Controlled Dual Gobo Rotator
PHD019	Profile High-Definition Lens 19°
PHD126	Profile High-Definition Lens 26°
PHD236	Profile High-Definition Lens 36°
PHD350	Profile High-Definition Lens 50°
NEU088	3 ft. (1m) Power Link Cable
	Additional Cable Lengths Available

FCC STATEMENT

This device complies with Part 15 of the FCC Rules. Operation is subject to the following two conditions: (1) this device may not cause harmful interference, and (2) this device must accept any interference received, including interference that may cause undesired operation.

FCC RADIO FREQUENCY INTERFERENCE WARNINGS & INSTRUCTIONS

This product has been tested and found to comply with the limits as per Part 15 of the FCC Rules. These limits are designed to provide reasonable protection against harmful interference in a residential installation. This device uses and can radiate radio frequency energy and, if not installed and used in accordance with the included instructions, may cause harmful interference to radio communications. However, there is no guarantee that interference will not occur in a particular installation. If this device does cause harmful interference to radio or television reception, which can be determined by turning the device off and on, the user is encouraged to try to correct the interference by one or more of the following methods:

- Reorient or relocate the device.
- Increase the separation between the device and the receiver.
- Connect the device to an electrical outlet on a circuit different from which the radio receiver is connected.
- Consult the dealer or an experienced radio/TV technician for help.

