

MAGNOMATIC

Prisma PAR 20



User Manual

©2021 MAGMATIC EFFECTS all rights reserved. Information, specifications, diagrams, images, and instructions herein are subject to change without notice. MAGMATIC EFFECTS logo and identifying product names and numbers herein are trademarks of MAGMATIC EFFECTS. Copyright protection claimed includes all forms and matters of copyrightable materials and information now allowed by statutory or judicial law or hereinafter granted. Product names used in this document may be trademarks or registered trademarks of their respective companies and are hereby acknowledged. All non-MAGMATIC brands and product names are trademarks or registered trademarks of their respective companies.

MAGMATIC EFFECTS and all affiliated companies hereby disclaim any and all liabilities for property, equipment, building, and electrical damages, injuries to any persons, and direct or indirect economic loss associated with the use or reliance of any information contained within this document, and/or as a result of the improper, unsafe, insufficient and negligent assembly, installation, rigging, and operation of this product.

MAGMATIC EFFECTS | 6122 S. Eastern Ave. | Los Angeles, CA. 90040
 323-582-3322 | 323-832-9142 fax | www.elationlighting.com | sales@magmaticeffects.com

Elation Professional B.V. | Junostraat 2 | 6468 EW Kerkrade, The Netherlands
[+31 45 546 85 66](tel:+31455468566) | +31 45 546 85 96 fax | www.elationlighting.eu | info@elationlighting.eu

Elation Professional Mexico | AV Santa Ana 30 | Parque Industrial Lerma, Lerma, Mexico 52000
 +52 (728) 282-7070

! CAUTION
HIGH INTENSITY ULTRAVIOLET LIGHT

 AVOID DIRECT EYE & SKIN EXPOSURE.
 WEAR PROPER EYE & SKIN PROTECTION.
 SEE MANUAL FOR SAFETY INSTRUCTIONS.

RISK GROUP 3 - RISK OF EXPOSURE TO ULTRAVIOLET (UV) RADIATION!
 FIXTURE EMITS HIGH INTENSITY WAVELENGTH OF ULTRAVIOLET LIGHT
 WEAR PROPER EYE AND SKIN PROTECTION.
 DO NOT OPERATE FIXTURE WITH DAMAGED/MISSING EXTERNAL COVER PROTECTIVE LENS.
 DO NOT LOOK DIRECTLY INTO THE (UV) LIGHT AND/OR VIEW (UV) LIGHT DIRECTLY WITH OPTICAL INSTRUMENTS THAT MAY CONCENTRATE THE LIGHT/RADIATION OUTPUT.

AVOID PROLONGED PERIODS OF EXPOSURE.
 AVOID WEARING WHITE COLOR CLOTHING AND/OR USING (UV) PAINTS ON SKIN.
 AVOID DIRECT EYE AND/OR SKIN EXPOSURE AT DISTANCES SHORTER THAN 11 feet (3.3m).
 INDIVIDUALS SUFFERING FROM A RANGE OF EYE CONDITIONS, SUNLIGHT EXPOSURE DISORDERS, OR INDIVIDUALS USING PHOTSENSITIVE MEDICATION, MAY EXPERIENCE DISCOMFORT IF EXPOSED TO THE ULTRAVIOLET (UV) LIGHT EMITTED FROM THIS FIXTURE.

DOCUMENT VERSION



Due to additional product features and/or enhancements, an updated version of this document may be available online. Please scan the QR Code with your mobile device or visit www.elationlighting.com for the latest revision/update of this manual, before installation and/or programming.

Date	Document Version	Software Version ≥	DMX Channel Modes	Notes
06/25/2020	1.0	1.01	1 / 2 / 3 / 6 Channels	Initial release.
05/25/2021	2.0	N/C	No Change	Updated Installation Instructions, added FCC Statement and ETL.

CONTENTS

General Information	4
Limited Warranty (USA Only)	5
Warranty Returns (USA Only)	6
Safety Guidelines	7
Maintenance Guidelines	9
Fixture Overview	10
Installation Instructions	11
System Menu	13
DMX Channel Functions & Values	17
Dimmer Modes	21
Specifications	22
Dimensional Drawings FCC Statement	23

GENERAL INFORMATION

INTRODUCTION

Please read and understand the instructions in this manual carefully and thoroughly before attempting to operate this device. These instructions contain important safety and use information.

This product is intended for use by professionally trained personnel only and is not suitable for private use.

UNPACKING

Every device has been thoroughly tested and has been shipped in perfect operating condition.

Carefully check the shipping carton for damage that may have occurred during shipping. If the

carton is damaged, carefully inspect the device for damage, and be sure all accessories necessary to

install and operate the device have arrived intact. In the event damage has been found or parts are

missing, please contact our customer support team for further instructions. Please do not return this

device to your dealer without first contacting customer support. Please do not discard the shipping

carton in the trash. Please recycle whenever possible.

BOX CONTENTS

UV Lighting Fixture (x1)

Locking Power Cable (x1)

CUSTOMER SUPPORT

Contact MAGMATIC Service for any product related service and support needs.

Also visit forums.elationlighting.com with questions, comments or suggestions.

ELATION SERVICE USA - Monday - Friday 8:00am to 4:30pm PST

323-582-3322 | Fax 323-832-9142 | support@elationlighting.com

ELATION SERVICE EUROPE - Monday - Friday 08:30 to 17:00 CET

+31 45 546 85 63 | Fax +31 45 546 85 96 | support@elationlighting.eu

REPLACEMENT PARTS please visit parts.elationlighting.com



I M P O R T A N T N O T I C E !

THERE ARE NO USER SERVICEABLE PARTS INSIDE THIS UNIT.

DO NOT ATTEMPT ANY REPAIRS YOURSELF; DOING SO WILL VOID YOUR

MANUFACTURER'S WARRANTY. DAMAGES RESULTING FROM MODIFICATIONS

TO THIS FIXTURE AND/OR THE DISREGARD OF SAFETY INSTRUCTIONS AND

GUIDELINES IN THIS MANUAL VOID THE MANUFACTURER'S WARRANTY AND ARE

NOT SUBJECT TO ANY WARRANTY CLAIMS AND/OR REPAIRS.

LIMITED WARRANTY (USA ONLY)

A. Magmatic Effects hereby warrants, to the original purchaser, Magmatic products to be free of manufacturing defects in material and workmanship for a period of two years (730 days) from the original date of purchase. This warranty excludes discharge lamps and all product accessories. This warranty shall be valid only if the product is purchased within the United States of America, including possessions and territories. It is the owner's responsibility to establish the date and place of purchase by acceptable evidence, at the time service is sought.

B. For warranty service, send the product only to the Magmatic Effects factory. All shipping charges must be pre-paid. If the requested repairs or service (including parts replacement) are within the terms of this warranty, Magmatic Effects will pay return shipping charges only to a designated point within the United States. If any product is sent, it must be shipped in its original package and packaging material. No accessories should be shipped with the product. If any accessories are shipped with the product, Magmatic Effects shall have no liability what so ever for loss and/or or damage to any such accessories, nor for the safe return thereof.

C. This warranty is void if the product serial number and/or labels are altered or removed; if the product is modified in any manner which Magmatic Effects concludes, after inspection, affects the reliability of the product; if the product has been repaired or serviced by anyone other than the Magmatic Effects factory unless prior written authorization was issued to purchaser by Magmatic Effects; if the product is damaged because not properly maintained as set forth in the product instructions, guidelines and/or user manual.

D. This is not a service contract, and this warranty does not include any maintenance, cleaning or periodic check-up. During the periods as specified above, Magmatic Effects will replace defective parts at its expense, and will absorb all expenses for warranty service and repair labor by reason of defects in material or workmanship. The sole responsibility of Magmatic Effects under this warranty shall be limited to the repair of the product, or replacement thereof, including parts, at the sole discretion of Magmatic Effects. All products covered by this warranty were manufactured after January 1, 1990, and bear identifying marks to that effect.

E. Magmatic Effects reserves the right to make changes in design and/or performance improvements upon its products without any obligation to include these changes in any products theretofore manufactured.

F. No warranty, whether expressed or implied, is given or made with respect to any accessory supplied with the products described above. Except to the extent prohibited by applicable law, all implied warranties made by Magmatic Effects in connection with this product, including warranties of merchantability or fitness, are limited in duration to the warranty periods set forth above. And no warranties, whether expressed or implied, including warranties of merchantability or fitness, shall apply to this product after said periods have expired. The consumer's and/or dealer's sole remedy shall be such repair or replacement as is expressly provided above; and under no circumstances shall Magmatic Effects be liable for any loss and/or damage, direct and/or consequential, arising out of the use of, and/or the inability to use, this product.

G. This warranty is the only written warranty applicable to Magmatic Effects products and supersedes all prior warranties and written descriptions of warranty terms and conditions heretofore published.

WARRANTY RETURNS (USA ONLY)

To obtain warranty service, a Return Material Authorization (RMA) number must first be obtained from MAGMATIC. It is the Customer's responsibility to provide product proof of purchase and serial number by acceptable evidence such as an invoice copy or an approved MAGMATIC Extended Warranty Certificate ("EWC") and any relevant maintenance records at the time warranty service is sought. Failure to provide acceptable evidence of product proof of purchase or EWC and any relevant maintenance records may be cause for denial of warranty service.

Products returned for warranty service must be sent without any accessories (i.e., power, data, and safety cables, brackets, clamps, rigging hardware, frost filters, gel frames, barn doors, lenses, hoses, nozzles, rack mounting hardware, etc.), must be boxed using the original and/or suitable packaging materials (double-box and foam) that provides ample product protection for ground and/or air freight transit, and must be shipped freight pre-paid and insured to MAGMATIC in Los Angeles, CA or a MAGMATIC Authorized Service Center. The RMA number must be clearly written on the outside of the return box, and a brief description of the problem and the RMA number must be documented and included in the box.

Products returned for warranty service without an RMA number clearly marked on the outside of the package will be refused and returned to the shipper at the Customer's expense. Products returned for warranty service, which are received damaged due to inadequate and/or improper packaging and/or due to damage caused by the shipping carrier, may incur additional repair charges before warranty service begins and/or may void this warranty. If any product accessories (included and/or optional) are shipped with the product, MAGMATIC and/or the MAGMATIC Authorized Service Center shall have no liability what so ever for the loss and/or damage to any such accessories, nor the safe return thereof. If the requested warranty repairs or service (including parts replacement) are within the terms of this warranty, MAGMATIC will pay return ground transportation shipping charges to a single designated point within the United States.

SAFETY GUIDELINES

This fixture is a sophisticated piece of electronic equipment. To guarantee smooth operation, it is important to follow all instructions and guidelines in this manual. Magmatic Effects is not responsible for injury and/or damages resulting from the misuse of this fixture due to the disregard of the information printed in this manual. Only qualified and/or certified personnel should perform installation of this fixture and only the original rigging parts included with this fixture should be used for installation. Any modifications to the fixture and/or the included mounting hardware will void the original manufacturer's warranty and increase the risk of damage and/or personal injury.



PROTECTION CLASS 1 - FIXTURE MUST BE PROPERLY GROUNDED



**THERE ARE NO USER SERVICEABLE PARTS INSIDE THIS UNIT.
DO NOT ATTEMPT ANY REPAIRS YOURSELF; DOING SO WILL VOID
YOUR MANUFACTURER'S WARRANTY. DAMAGES RESULTING
FROM MODIFICATIONS TO THIS FIXTURE AND/OR THE DISREGARD
OF SAFETY INSTRUCTIONS AND GUIDELINES IN THIS MANUAL
VOID THE MANUFACTURER'S WARRANTY AND ARE NOT SUBJECT
TO ANY WARRANTY CLAIMS AND/OR REPAIRS.**



**DO NOT PLUG FIXTURE INTO A DIMMER PACK!
NEVER OPEN THIS FIXTURE WHILE IN USE!
UNPLUG POWER BEFORE SERVICING FIXTURE!
NEVER TOUCH FIXTURE DURING OPERATION, AS IT MAY BE HOT!
KEEP FLAMMABLE MATERIALS AWAY FROM FIXTURE!**



**NEVER LOOK DIRECTLY INTO THE LIGHT SOURCE!
RETINA INJURY RISK - MAY INDUCE BLINDNESS!
SENSITIVE PERSONS MAY SUFFER AN EPILEPTIC SHOCK!**

IP65

**FIXTURE IS DUST TIGHT AND PROTECTED AGAINST LOW-PRESSURE
WATER JETS FROM ANY DIRECTION**

SAFETY GUIDELINES

- **DO NOT TOUCH** the fixture housing during operation. Turn OFF the power and allow approximately 15 minutes for the fixture to cool down before serving.
- **DO NOT** shake fixture, and avoid brute force when installing and/or operating fixture.
- **DO NOT** operate fixture if the power cord is frayed, crimped, damaged and/or if any of the power cord connectors are damaged and do not insert into the fixture easily and securely. **NEVER** force a power cord connector into the fixture. If the power cord or any of its connectors are damaged, replace it immediately with a new one of similar power rating.
- **DO NOT** block any air ventilation slots.
- All fan and air inlets must remain clean and never blocked.
- Allow approx. 6" (15cm) between fixture and other devices or a wall for proper cooling.
- When installing fixture in a suspended environment, always use mounting hardware that is no less than M10 x 25 mm, and always install fixture with an appropriately rated safety cable.
- Always disconnect fixture from main power source before performing any type of service and/or cleaning procedure. Only handle the power cord by the plug end, never pull out the plug by tugging the wire portion of the cord.
- During the initial operation of this fixture, a light smoke or smell may emit from the interior of the fixture. This is a normal process and is caused by excess paint in the interior of the casing burning off from the heat associated with the lamp and will decrease gradually over time.
- Consistent operational breaks will ensure fixture will function properly for many years.
- **ONLY** use the original packaging and materials to transport the fixture for service.

CAUTION

HIGH INTENSITY ULTRAVIOLET LIGHT



**AVOID DIRECT EYE & SKIN EXPOSURE.
WEAR PROPER EYE & SKIN PROTECTION.
SEE MANUAL FOR SAFETY INSTRUCTIONS.**

RISK GROUP 3 - RISK OF EXPOSURE TO ULTRAVIOLET (UV) RADIATION!

FIXTURE EMITS HIGH INTENSITY WAVELENGTH OF ULTRAVIOLET LIGHT!

WEAR PROPER EYE AND SKIN PROTECTION.

DO NOT OPERATE FIXTURE WITH DAMAGED/MISSING EXTERNAL COVER PROTECTIVE LENS.

DO NOT LOOK DIRECTLY INTO THE (UV) LIGHT AND/OR VIEW (UV) LIGHT DIRECTLY WITH OPTICAL INSTRUMENTS THAT MAY CONCENTRATE THE LIGHT/RADIATION OUTPUT.

AVOID PROLONGED PERIODS OF EXPOSURE.

AVOID WEARING WHITE COLOR CLOTHING AND/OR USING (UV) PAINTS ON SKIN.

AVOID DIRECT EYE AND/OR SKIN EXPOSURE AT DISTANCES OF LESS THAN 11 feet (3.3m).

INDIVIDUALS SUFFERING FROM A RANGE OF EYE CONDITIONS, SUNLIGHT EXPOSURE DISORDERS, OR INDIVIDUALS USING PHOTSENSITIVE MEDICATION MAY EXPERIENCE DISCOMFORT IF EXPOSED TO THE ULTRAVIOLET (UV) LIGHT EMITTED FROM THIS FIXTURE.

MAINTENANCE GUIDELINES



DISCONNECT POWER BEFORE PERFORMING ANY MAINTENANCE!

CLEANING

Frequent cleaning is recommended to ensure proper function, optimized light output, and an extended life. The frequency of cleaning depends on the environment in which the fixture operates: damp, smoky, or particularly dirty environments can cause greater accumulation of dirt on the fixture's optics. Clean the external lens surface periodically with a soft cloth to avoid dirt/debris accumulation.

NEVER use alcohol, solvents, or ammonia-based cleaners.

MAINTENANCE

Regular inspections are recommended to ensure proper function and extended life.

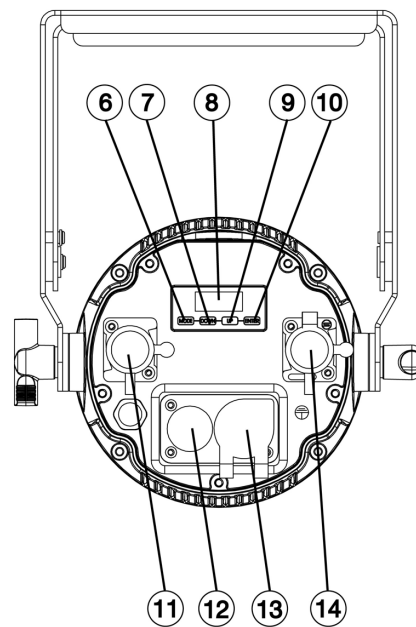
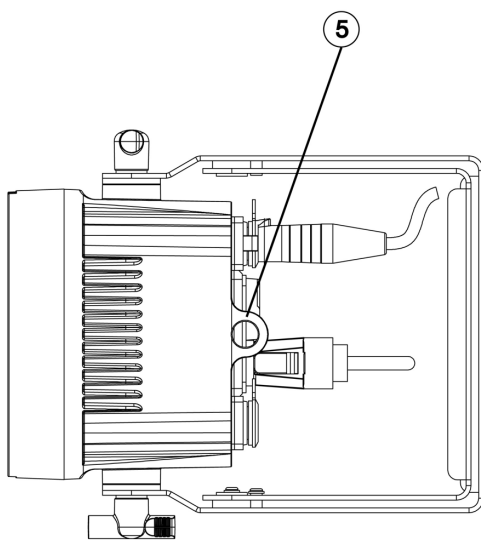
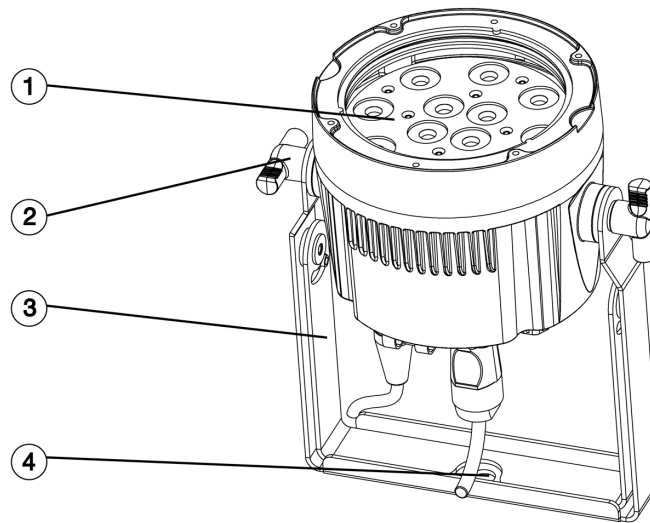
There are no user serviceable parts inside this fixture, please refer all other service issues to an authorized MAGMATIC service technician. Should you need any spare parts, please order genuine parts from your local MAGMATIC dealer.

Please refer to the following points during routine inspections:

- A detailed electrical check by an approved electrical engineer every three months, to make sure the circuit contacts are in good condition in order to prevent overheating.
- Be sure all screws and fasteners are securely tightened at all times. Loose screws may fall out during normal operation, resulting in damage or injury as larger parts could fall.
- Check for any deformations on the housing, color lenses, rigging hardware, and rigging points (ceiling, suspension, trussing). Deformations in the housing could allow for dust or liquids to enter into the fixture. Damaged rigging points or unsecured rigging could cause the fixture to fall and seriously injure a person(s).
- Electric power supply cables must not show any damage, material fatigue, or sediments.

NEVER remove the ground prong from the power cable.

FIXTURE OVERVIEW



- 1. Lens
- 2. Yoke Adjustment Knob
- 3. Mounting Yoke
- 4. Clamp Attachment Point
- 5. Safety Cable Attachment Point
- 6. Mode Button
- 7. Down Button

- 8. Display Screen
- 9. Up Button
- 10. Enter Button
- 11. DMX In
- 12. Power In
- 13. Power Out
- 14. DMX Out

INSTALLATION INSTRUCTIONS



FLAMMABLE MATERIAL WARNING

Keep fixture minimum 5.0 feet (1.5m) away from flammable materials and/or pyrotechnics.



ELECTRICAL CONNECTIONS

A qualified electrician should be used for all electrical connections and/or installations.



USE CAUTION WHEN POWER LINKING OTHER MODEL FIXTURES AS THE POWER CONSUMPTION OF OTHER MODEL FIXTURES MAY EXCEED THE MAX POWER OUTPUT ON THIS FIXTURE. CHECK SILK SCREEN FOR MAX AMPS.



DO NOT INSTALL THE FIXTURE IF YOU ARE NOT QUALIFIED TO DO SO!



THE INSTALLATION HEIGHT SHOULD BE AT LEAST 9.8 FT (3.0 METERS) ABOVE THE GROUND

Fixture **MUST** be installed following all local, national, and country commercial electrical and construction codes and regulations.

Before rigging/mounting a single fixture or multiple interconnected fixtures for custom matrix designs to any metal truss/structure or placing the fixture(s) on any surface, a professional equipment installer **MUST** be consulted to determine if the metal truss/structure or surface is properly certified to safely hold the combined weight of the fixture(s), clamps, cables, and accessories.

Ambient operating temperature range is from **14°F (-10°C) to 113°F (45°C)**.
Do not operate this fixture when ambient temperature falls outside this range.

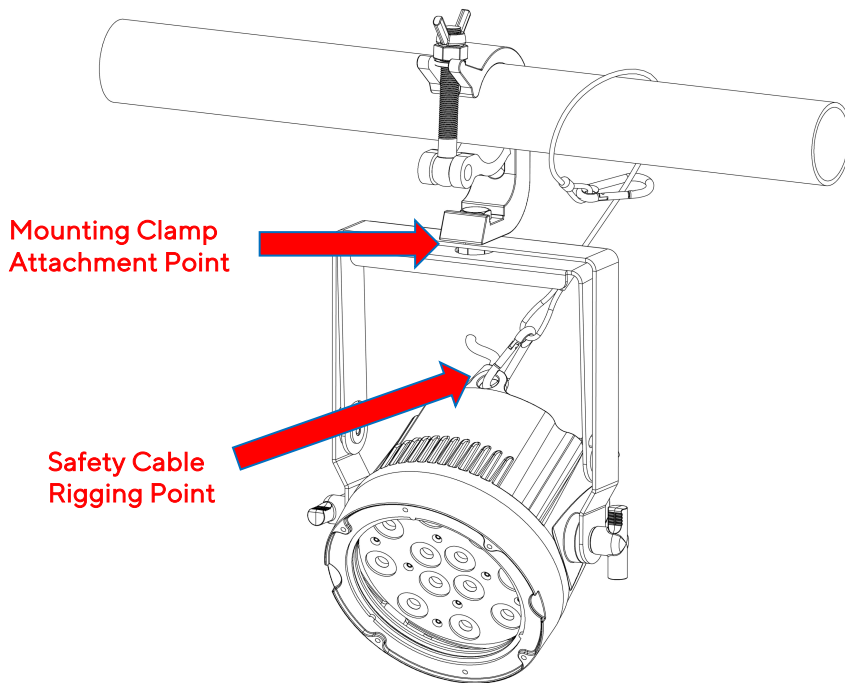
Fixture(s) should be installed in areas outside walking paths, seating areas, or away from areas where unauthorized personnel might reach the fixture by hand.

NEVER stand directly below the fixture(s) when rigging, removing, or servicing.
Overhead fixture installation must always be secured with a secondary safety attachment, such as an appropriately rated safety cable (not included) that meets all local, national, and country codes and regulations. Allow approximately 15 minutes for the fixture to cool down before servicing.

INSTALLATION INSTRUCTIONS

CLAMP INSTALLATION

This fixture features a mounting clamp attachment point, which is located on the mounting yoke, as well as a safety cable rigging point, located on the back side of the fixture (see the illustration below). When mounting this fixture to truss, be sure to secure an appropriately rated clamp (not included) to the clamp attachment point and attach a separate **SAFETY CABLE** of the appropriate rating to the safety cable rigging point.



S A F E T Y C A B L E
ALWAYS ATTACH A SAFETY CABLE WHENEVER INSTALLING THIS FIXTURE IN A SUSPENDED ENVIRONMENT TO ENSURE THE FIXTURE WILL NOT FALL IF THE CLAMP FAILS.

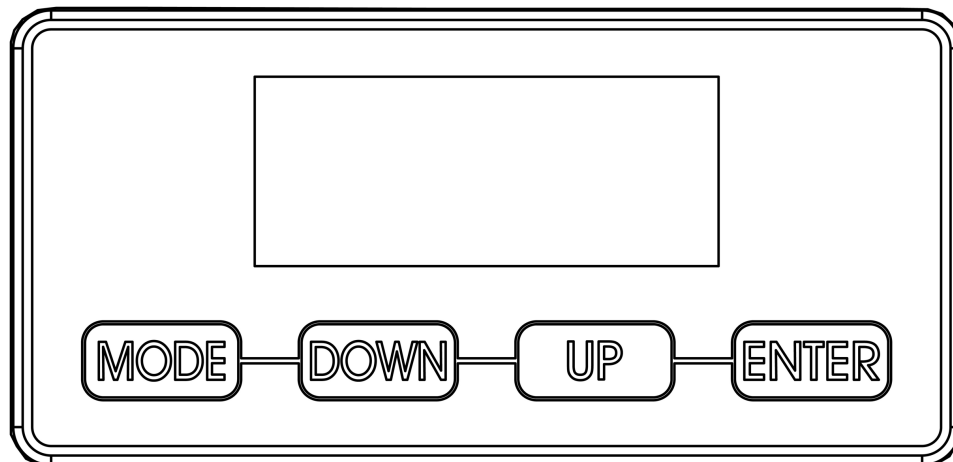
RIGGING

Overhead rigging requires extensive experience, including but not limited to: calculating working load limits, understanding the installation material being used, and periodic safety inspection of all installation material and the fixture. If you lack these qualifications, do not attempt the installation yourself. Improper installation can result in bodily injury.

SYSTEM MENU

The fixture includes an easy to navigate system menu. The control panel (see image below) located on the back side of the fixture provides access to the main system menu, where all necessary system adjustments can be made. During normal operation, pressing **MODE** button once will access the fixture's main menu. Once in the main menu you can navigate through the different functions and access the sub-menus with the **UP** and **DOWN** buttons. Once you reach a field that requires adjusting, press the **ENTER** button to activate that field and use the **UP** and **DOWN** buttons to adjust the field. Pressing the **ENTER** button once more will confirm your setting. You may exit the main menu at any time without making any adjustments by pressing the **MODE** button.

The display screen will automatically time out after 30 seconds of inactivity. To unlock the display screen, simply press and hold the **MODE** until the display screen unlocks.



SYSTEM MENU

Magmatic Prisma PAR 20 System Menu					
Default setting shown in bold					
Supports Software Versions: 1.01					
ADDRESS	Set ADDR XXX	001 - 512			
MODE	1CH				
	2CH				
	3CH				
	6CH				
FUNCTION	No DMX	Hold / Black			
	LCD Set	Display	On / Off	30 sec. screen saver	
		Key Lock	On / On1 / Off		
		Flash	On / Off		
		Inverse	Off / On	Screen 180° flip	
	Temp C/F	Celsius / Fahrenheit			
	Dim Mode		Standard		
			Stage		
			TV		
			Architec		
			Theatre		
			Stage2		
			0.0 s		
			0.1 s		
			0.2 s		
			0.3 s		
			0.4 s		
			0.5 s		
			0.6 s		
			0.7 s		
			0.8 s		
			0.9 s		
			1.0 s		
			1.5 s		
			2.0 s		
			3.0 s		
			4.0 s		
			5.0 s		
			6.0 s		
		7.0 s			
		8.0 s			
		9.0 s			
		10.0 s			
Dim Curve		Linear			
		Square			
		Inv Square			
		S-Curve			

CONTINUED ON NEXT PAGE

FUNCTION <i>(continued from prev page)</i>	Frequency	900 Hz		
		910 Hz		
		920 Hz		
		930 Hz		
		940 Hz		
		950 Hz		
		960 Hz		
		970 Hz		
		980 Hz		
		990 Hz		
		1000 Hz		
		1010 Hz		
		1020 Hz		
		1030 Hz		
		1040 Hz		
		1050 Hz		
		1060 Hz		
		1070 Hz		
		1080 Hz		
		1090 Hz		
		1100 Hz		
		1110 Hz		
		1120 Hz		
		1130 Hz		
		1140 Hz		
		1150 Hz		
		1160 Hz		
		1170 Hz		
		1180 Hz		
		1190 Hz		
		1200 Hz		
		1210 Hz		
		1220 Hz		
		1230 Hz		
		1240 Hz		
		1250 Hz		
		1260 Hz		
		1270 Hz		
		1280 Hz		
		1290 Hz		
1300 Hz				
1310 Hz				
1320 Hz				
1330 Hz				
1340 Hz				
1350 Hz				
1360 Hz				
1370 Hz				
1380 Hz				
1390 Hz				
1400 Hz				

CONTINUED ON NEXT PAGE

FUNCTION <i>(continued from prev page)</i>	Frequency <i>(continued from prev page)</i>	1410 Hz			
		1420 Hz			
		1430 Hz			
		1440 Hz			
		1450 Hz			
		1460 Hz			
		1470 Hz			
		1480 Hz			
		1490 Hz			
		1500 Hz			
		2500 Hz			
		4000 Hz			
		5000 Hz			
		6000 Hz			
		10 KHz			
		15 KHz			
		20 KHz			
25 KHz					
MasterSwitch	On / Off				
Defaults	Reset?				
	Cancel				
INFORMATION	Time Info	Current			
		Total			
		Last			
		Password	Clear Current/Last (Password = 050)		
			Clear Total (Password = 060)		
	Clear	On / Off			
	Temp Info				
	Model Info	Prisma Par 20			
	Software	V1.01			
Err. Info	None				
SLAVE	Press ENTER to put fixture in Slave Mode. Slave Mode will automatically be deactivated when the fixture is set to another operational mode.				
MANUAL	Dimmer	000 - 255			
	Strobe	000 - 255			
	UV	000 - 255			
CALIBRATION	Password	Password = 050			
	UV				

DMX CHANNEL FUNCTIONS AND VALUES

1-CH MODE

Magmatic Prisma PAR 20: DMX Channels / Functions (1 DMX Channel)		
Supports Software Versions: 1.01		
CHANNEL	VALUE	FUNCTION
1	000 - 255	Dimmer

2-CH MODE

Magmatic Prisma PAR 20: DMX Channels / Functions (2 DMX Channels)		
Supports Software Versions: 1.01		
CHANNEL	VALUE	FUNCTION
1	000 - 255	Dimmer
2	000 - 255	Dimmer Fine

3-CH MODE

Magmatic Prisma PAR 20: DMX Channels / Functions (3 DMX Channels)		
Supports Software Versions: 1.01		
CHANNEL	VALUE	FUNCTION
1	Strobe	
	000 - 031	LED Off
	032 - 063	LED On
	064 - 095	Strobe, slow to fast
	096 - 127	LED On
	128 - 159	Pulse effect in sequences
	160 - 191	LED On
	192 - 223	Random strobe effect, slow to fast
224 - 255	LED On	
2	000 - 255	Dimmer
3	000 - 255	Dimmer Fine

DMX CHANNEL FUNCTIONS AND VALUES

6-CH MODE

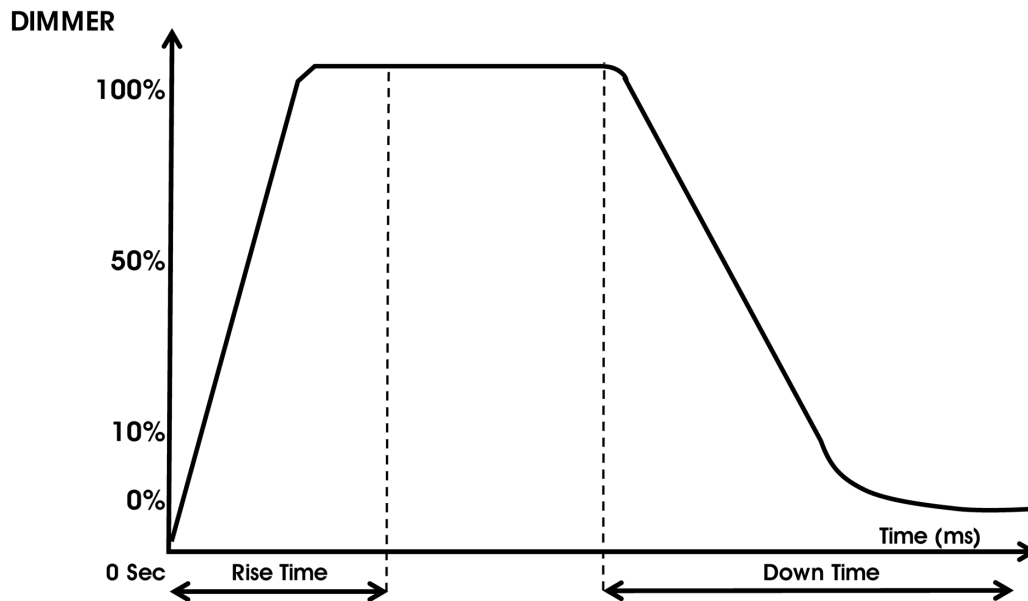
Magmatic Prisma PAR 20: DMX Channels / Functions (6 DMX Channels)		
Supports Software Versions: 1.01		
CHANNEL	VALUE	FUNCTION
1	Strobe	
	000 - 031	LED Off
	032 - 063	LED On
	064 - 095	Strobe, slow to fast
	096 - 127	LED On
	128 - 159	Pulse effect in sequences
	160 - 191	LED On
	192 - 223	Random strobe effect, slow to fast
	224 - 255	LED On
2	000 - 255	Dimmer
3	000 - 255	Dimmer Fine
4	Dim Mode	
	000 - 020	Standard
	021 - 040	Stage
	041 - 060	TV
	061 - 080	Architectural
	081 - 100	Theatre
	101 - 120	Stage2
	<i>Dimmer Delay Time</i>	
	121	0.0 s
	122	0.1 s
	123	0.2 s
	124	0.3 s
	125	0.4 s
	126	0.5 s
	127	0.6 s
	128	0.7 s
	129	0.8 s
	130	0.9 s
	131	1.0 s
	132	1.5 s
	133	2.0 s
	134	3.0 s
	135	4.0 s
	136	5.0 s
	137	6.0 s
	138	7.0 s
	139	8.0 s
140	9.0 s	
141	10.0 s	
	142 - 255	No Function
<i>CONTINUED ON NEXT PAGE</i>		

CHANNEL	VALUE	FUNCTION
5	Dim Curves	
	000 - 020	Linear
	021 - 040	Square
	041 - 060	Inv. Squa.
	061 - 080	S. Curve
	081 - 255	No Function
6	LED Refresh Rates	
	000 - 010	1200 Hz (Default Refresh Rate)
	011	900 Hz
	012	910 Hz
	013	920 Hz
	014	930 Hz
	015	940 Hz
	016	950 Hz
	017	960 Hz
	018	970 Hz
	019	980 Hz
	020	990 Hz
	021	1000 Hz
	022	1010 Hz
	023	1020 Hz
	024	1030 Hz
	025	1040 Hz
	026	1050 Hz
	027	1060 Hz
	028	1070 Hz
	029	1080 Hz
	030	1090 Hz
	031	1100 Hz
	032	1110 Hz
	033	1120 Hz
	034	1130 Hz
	035	1140 Hz
	036	1150 Hz
	037	1160 Hz
	038	1170 Hz
	039	1180 Hz
	040	1190 Hz
	041	1210 Hz
	042	1220 Hz
043	1230 Hz	
044	1240 Hz	
045	1250 Hz	
046	1260 Hz	
047	1270 Hz	
048	1280 Hz	
049	1290 Hz	
050	1300 Hz	
051	1310 Hz	
052	1320 Hz	
<i>CONTINUED ON NEXT PAGE</i>		

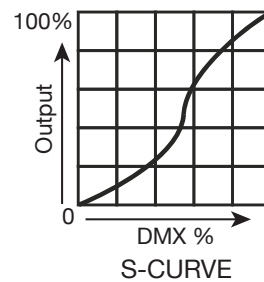
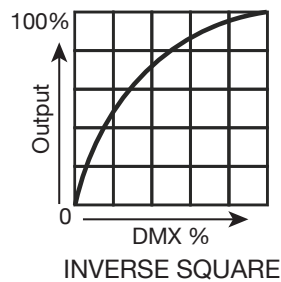
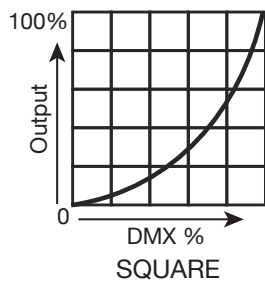
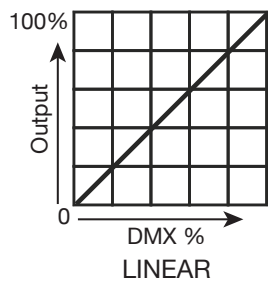
CHANNEL	VALUE	FUNCTION
6 <i>(continued from prev page)</i>	LED Refresh Rates <i>(continued from prev page)</i>	
	053	1330 Hz
	054	1340 Hz
	055	1350 Hz
	056	1360 Hz
	057	1370 Hz
	058	1380 Hz
	059	1390 Hz
	060	1400 Hz
	061	1410 Hz
	062	1420 Hz
	063	1430 Hz
	064	1440 Hz
	065	1450 Hz
	066	1460 Hz
	067	1470 Hz
	068	1480 Hz
	069	1490 Hz
	070	1500 Hz
	071	2500 Hz
	072	4000 Hz
	073	5000 Hz
	074	6000 Hz
	075	10 KHz
	076	15 KHz
077	20 KHz	
078	25 KHz	
079 - 255	No Function	

DIMMER MODES

Select desired DIMMER MODE (Standard, Stage, TV, Architectural, Theatre, Stage2).



Dimming Curve Ramp Effect	0 sec Fade Time		1 sec Fade Time	
	Rise Time (ms)	Down Time (ms)	Rise Time (ms)	Down Time (ms)
Standard (default)	0	0	0	0
Stage	780	1100	1540	1660
TV	1180	1520	1860	1940
Architectural	1380	1730	2040	2120
Theatre	1580	1940	2230	2280
Stage 2	0	1100	0	1660



SPECIFICATIONS

SOURCE

(12) 2W High Power UV Diode LEDs
20,000 Hour Average LED Life*

*Test lab conditions. May vary depending on several factors including but not limited to:
Environmental Conditions, Power/Voltage, Usage Patterns (On-Off Cycling), Control, and Dimming.

PHOTOMETRIC DATA

20 Degree Narrow Beam Angle
365nm True UV Peak Wavelength

EFFECTS

High Speed Electronic Strobe
Variable Dimming Curve Modes

CONSTRUCTION

Rugged IP65 Rated Housing
Dual Adjustable Mounting Yokes

CONTROL

Multiple DMX Channel Modes
Onboard 4 Button Touch Control Panel
DMX-512 and RDM Protocol Support

CONNECTIONS

Locking 5pin XLR Connector In/Out
IP65 Locking Power Connector In

SIZE / WEIGHT

Length: 5.9 in. (150mm)
Width: 8.6 in. (218mm)
Vertical Height: 9.7 in. (247mm)
Weight: 5.3 lbs. (2.4kg)

ELECTRICAL

AC100-240V 50-60Hz
27W Max Power Consumption

THERMAL

14°F to 113°F (-10°C to 45°C)
Air Cooled

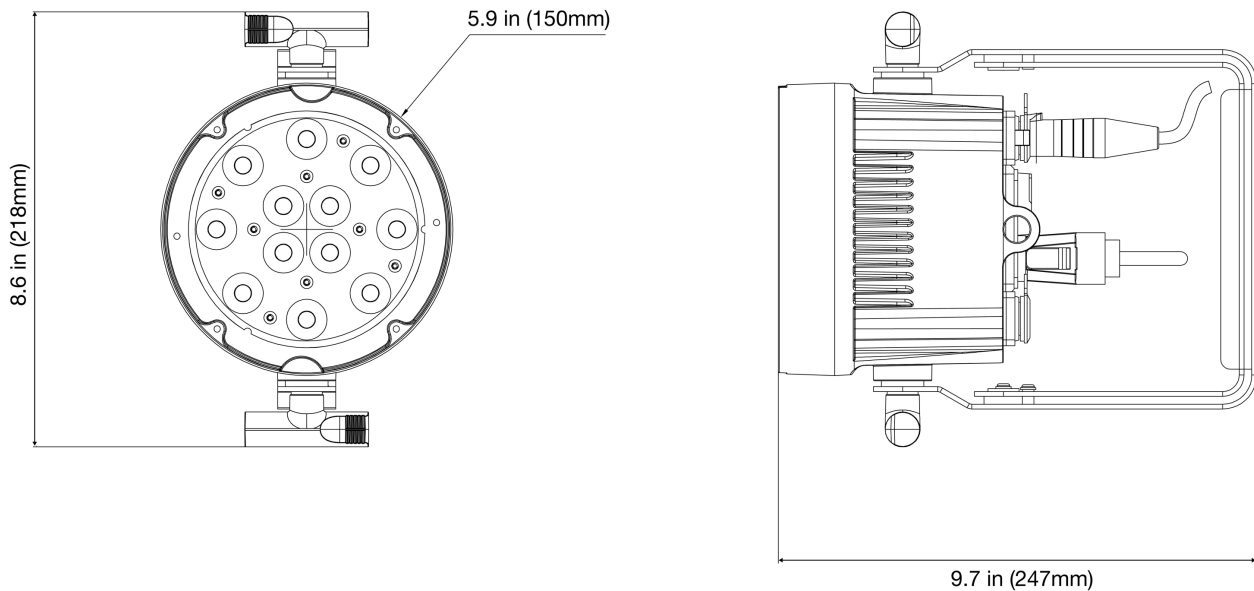
APPROVALS / RATINGS

CE | cETLus | IP65



Specifications and improvements in the design of this unit and this manual are subject to change without any prior written notice.

DIMENSIONAL DRAWINGS



Drawings not to scale.

FCC STATEMENT

This device complies with Part 15 of the FCC Rules. Operation is subject to the following two conditions: (1) this device may not cause harmful interference, and (2) this device must accept any interference received, including interference that may cause undesired operation.

FCC RADIO FREQUENCY INTERFERENCE WARNINGS & INSTRUCTIONS

This product has been tested and found to comply with the limits as per Part 15 of the FCC Rules. These limits are designed to provide reasonable protection against harmful interference in a residential installation. This device uses and can radiate radio frequency energy and, if not installed and used in accordance with the included instructions, may cause harmful interference to radio communications. However, there is no guarantee that interference will not occur in a particular installation. If this device does cause harmful interference to radio or television reception, which can be determined by turning the device off and on, the user is encouraged to try to correct the interference by one or more of the following methods:

- Reorient or relocate the device.
- Increase the separation between the device and the receiver.
- Connect the device to an electrical outlet on a circuit different from which the radio receiver is connected.
- Consult the dealer or an experienced radio/TV technician for help.



SKU#: PSP020
EU#: 1237000232
UPC#: 810008261149
ITF-14#: 10810008261146