



KL PANEL XL IP

User Manual

©2022 ELATION PROFESSIONAL all rights reserved. Information, specifications, diagrams, images, and instructions herein are subject to change without notice. ELATION PROFESSIONAL logo and identifying product names and numbers herein are trademarks of ELATION PROFESSIONAL. Copyright protection claimed includes all forms and matters of copyrightable materials and information now allowed by statutory or judicial law or hereinafter granted. Product names used in this document may be trademarks or registered trademarks of their respective companies and are hereby acknowledged. All non-ELATION brands and product names are trademarks or registered trademarks of their respective companies.

ELATION PROFESSIONAL and all affiliated companies hereby disclaim any and all liabilities for property, equipment, building, and electrical damages, injuries to any persons, and direct or indirect economic loss associated with the use or reliance of any information contained within this document, and/or as a result of the improper, unsafe, insufficient and negligent assembly, installation, rigging, and operation of this product.

Elation Professional USA | 6122 S. Eastern Ave. | Los Angeles, CA. 90040

323-582-3322 | 323-832-9142 fax | www.elationlighting.com | info@elationlighting.com

Elation Professional B.V. | Junostraat 2 | 6468 EW Kerkrade, The Netherlands

+31 45 546 85 66 | +31 45 546 85 96 fax | www.elationlighting.eu | info@elationlighting.eu

Elation Professional Mexico | AV Santa Ana 30 | Parque Industrial Lerma, Lerma, Mexico 52000

+52 (728) 282-7070

DOCUMENT VERSION



Due to additional product features and/or enhancements, an updated version of this document may be available online. Please scan the QR Code with your mobile device or visit www.elationlighting.com for the latest revision/update of this manual, before installation and/or programming.

Date	Document Version	Software Version	DMX Channel Mode	Notes
08/23/22	1.0	1.07	1/4/7/6/12/24/48/96/14/23/58/04/12	Initial Release
12/13/22	1.1	N/C	No Change	Updated Dimensional Drawings, Specifications

CONTENTS

General Information	4
Limited Warranty	5
Safety Guidelines	6
Maintenance Guidelines	8
Fixture Overview	9
Fan Modes and Low Noise Operation	10
Torque Screw Settings	11
Installation Instructions	12
Clamp Installation	13
Junior Pin Installation	14
Stand Mount Installation	15
Barn Door Installation	16
Intensifier Installation	17
Power Cables	18
Battery Connection	20
System Menu	21
Manual Mode	25
DMX Traits:	26
Channel Functions & Values	26
FX Table	30
FX Adjust Table	32
Color Temperature	33
Virtual Swatch Book	34
Remote Device Management (RDM)	35
Error Codes	36
Refresh Rate	36
Dimmer Modes	37
Pixel Zones	38
Specifications	39
Dimensional Drawings	40
Optional Accessories FCC Statement	41

GENERAL INFORMATION

INTRODUCTION

Please read and understand the instructions in this manual carefully and thoroughly before attempting to operate this device. These instructions contain important safety and use information. For professional use only

IP65 RATED

An IP rated lighting fixture is one, which is commonly installed in outdoor environments and has been designed with an enclosure that effectively protects the ingress (entry) of external foreign objects such as dust and water. The **International Protection (IP)** rating system is commonly expressed as “**IP**” (Ingress Protection) followed by two numbers (i.e. IP65) where the numbers define the degree of protection. The first digit (Foreign Bodies Protection) indicates the extent of protection against particles entering the fixture and the second digit (Water Protection) indicates the extent of protection against water entering the fixture. An **IP65** rated lighting fixture is one, which has been designed and tested to protect against the ingress of dust (**6**) and low-pressure water jets from any direction (**5**). **INTENDED FOR TEMPORARY OUTDOOR USE ONLY!**



ENSURE ALL CONNECTIONS AND END CAPS ARE PROPERLY SEALED WITH A DIELECTRIC GREASE (AVAILABLE AT MOST ELECTRICAL SUPPLIERS) TO PREVENT WATER CORROSION AND/OR ELECTRICAL SHORT CIRCUIT.

MARINE/COASTAL ENVIRONMENT INSTALLATIONS!

Please note although this fixture is IP rated, the fixture is **NOT** suitable for marine and/or coastal environment installations. Installing this fixture in a marine and/or coastal environment may cause corrosion and/or excessive wear to the interior and/or exterior components of the fixture. Damages and/or performance issues resulting from installation in a marine and/or coastal environment will void the manufactures warranty and will **NOT** be subject to any warranty claims and/or repairs.

OPTIONAL CORROSION-RESISTANT COATING

Optional Corrosion-Resistant Coatings may be available for this fixture.

Please consult your Elation Professional sales representative for details.

UNPACKING

Every device has been thoroughly tested and has been shipped in perfect operating condition. Carefully check the shipping carton for damage that may have occurred during shipping. If the carton is damaged, carefully inspect the device for damage, and be sure all accessories necessary to install and operate the device have arrived intact. In the event that damage has been found or parts are missing, please contact our customer support team for further instructions. Please do not return this device to your dealer without first contacting customer support. Please do not discard the shipping carton in the trash. Please recycle whenever possible.

BOX CONTENTS

Fixture (x1)
Junior Pin (1x)
Barndoor Assembly (x1)
Power Cable (x1)
Barndoor Safety Cable (x1)

CUSTOMER SUPPORT

Contact ELATION Service for any product related service and support needs. Also visit forums.elationlighting.com with questions, comments, or suggestions.

ELATION SERVICE USA - Monday - Friday 8:00am to 4:30pm PST
323-582-3322 | Fax 323-832-9142 | support@elationlighting.com

ELATION SERVICE EUROPE - Monday - Friday 08:30 to 17:00 CET
+31 45 546 85 63 | Fax +31 45 546 85 96 | support@elationlighting.eu

REPLACEMENT PARTS please visit parts.elationlighting.com

LIMITED WARRANTY (USA ONLY)

- A. Elation Professional hereby warrants, to the original purchaser, Elation Professional products to be free of manufacturing defects in material and workmanship for a period of two years (730 days), and Elation Professional product rechargeable batteries to be free of manufacturing defects in material and workmanship for a period of six months (180 days), from the original date of purchase. This warranty excludes discharge lamps and all product accessories. This warranty shall be valid only if the product is purchased within the United States of America, including possessions and territories. It is the owner's responsibility to establish the date and place of purchase by acceptable evidence, at the time service is sought.
- B. For warranty service, send the product only to the Elation Professional factory. All shipping charges must be pre-paid. If the requested repairs or service (including parts replacement) are within the terms of this warranty, Elation Professional will pay return shipping charges only to a designated point within the United States. If any product is sent, it must be shipped in its original package and packaging material. No accessories should be shipped with the product. If any accessories are shipped with the product, Elation Professional shall have no liability what so ever for loss and/or damage to any such accessories, nor for the safe return thereof.
- C. This warranty is void if the product serial number and/or labels are altered or removed; if the product is modified in any manner which Elation Professional concludes, after inspection, affects the reliability of the product; if the product has been repaired or serviced by anyone other than the Elation Professional factory unless prior written authorization was issued to purchaser by Elation Professional; if the product is damaged because not properly maintained as set forth in the product instructions, guidelines and/or user manual.
- D. This is not a service contract, and this warranty does not include any maintenance, cleaning or periodic check-up. During the periods as specified above, Elation Professional will replace defective parts at its expense, and will absorb all expenses for warranty service and repair labor by reason of defects in material or workmanship. The sole responsibility of Elation Professional under this warranty shall be limited to the repair of the product, or replacement thereof, including parts, at the sole discretion of Elation Professional. All products covered by this warranty were manufactured after January 1, 1990, and bare identifying marks to that effect.
- E. Elation Professional reserves the right to make changes in design and/or performance improvements upon its products without any obligation to include these changes in any products theretofore manufactured.
- F. No warranty, whether expressed or implied, is given or made with respect to any accessory supplied with the products described above. Except to the extent prohibited by applicable law, all implied warranties made by Elation Professional in connection with this product, including warranties of merchantability or fitness, are limited in duration to the warranty periods set forth above. And no warranties, whether expressed or implied, including warranties of merchantability or fitness, shall apply to this product after said periods have expired. The consumer's and/or dealer's sole remedy shall be such repair or replacement as is expressly provided above; and under no circumstances shall Elation Professional be liable for any loss and/or damage, direct and/or consequential, arising out of the use of, and/or the inability to use, this product.
- G. This warranty is the only written warranty applicable to Elation Professional products and supersedes all prior warranties and written descriptions of warranty terms and conditions heretofore published.

WARRANTY RETURNS

All returned service items whether under warranty or not, must be freight pre-paid and accompany a return authorization (R.A.) number. The R.A. number must be clearly written on the outside of the return package. A brief description of the problem as well as the R.A. number must also be written down on a piece of paper and included in the shipping container. If the unit is under warranty, you must provide a copy of your proof of purchase invoice. Items returned without a R.A. number clearly marked on the outside of the package will be refused and returned at customer's expense. You may obtain a R.A. number by contacting customer support.

SAFETY GUIDELINES

This fixture is a sophisticated piece of electronic equipment. To guarantee smooth operation, it is important to follow all instructions and guidelines in this manual. Elation Professional is not responsible for injury and/or damages resulting from the misuse of this fixture due to the disregard of the information printed in this manual. Only qualified and/or certified personnel should perform installation of this fixture and only the original rigging parts included with this fixture should be used for installation. Any modifications to the fixture and/or the included mounting hardware will void the original manufacturer's warranty and increase the risk of damage and/or personal injury.



PROTECTION CLASS 1 - FIXTURE MUST BE PROPERLY GROUNDED.



THERE ARE NO USER SERVICEABLE PARTS INSIDE THIS UNIT. DO NOT ATTEMPT ANY REPAIRS YOURSELF. DOING SO WILL VOID YOUR MANUFACTURER'S WARRANTY. DAMAGES RESULTING FROM MODIFICATIONS TO THIS DEVICE AND/OR THE DISREGARD OF SAFETY INSTRUCTIONS AND GUIDELINES IN THIS MANUAL VOID THE MANUFACTURER'S WARRANTY AND ARE NOT SUBJECT TO ANY WARRANTY CLAIMS AND/OR REPAIRS.



ENSURE ALL CONNECTIONS AND END CAPS ARE PROPERLY SEALED WITH A DIELECTRIC GREASE (AVAILABLE AT MOST ELECTRICAL SUPPLIERS) TO PREVENT WATER CORROSION AND/OR ELECTRICAL SHORT CIRCUIT.



**DO NOT PLUG THIS UNIT INTO A DIMMER PACK!
NEVER OPERATE THIS UNIT WITH THE CASING REMOVED!
DISCONNECT POWER BEFORE PERFORMING MAINTENANCE!
NEVER TOUCH DURING OPERATION, AS FIXTURE SURFACES MAY BE HOT!**



**NEVER LOOK DIRECTLY INTO THE LIGHT SOURCE!
RETINA INJURY RISK - MAY INDUCE BLINDNESS!
SENSITIVE PERSONS MAY SUFFER AN EPILEPTIC SHOCK!**

SAFETY GUIDELINES

- **DO NOT TOUCH** the fixture housing during operation.
- Turn OFF the power and allow approximately 15 minutes for the fixture to cool down before serving.
- **DO NOT** shake fixture and avoid brute force when installing and/or operating fixture.
- **DO NOT** operate fixture if the power cord is frayed, crimped, damaged, and/or if any of the power cord connectors are damaged and do not insert into the fixture securely with ease.
- **NEVER** force a power cord connector into the fixture. If the power cord or any of its connectors are damaged, replace it immediately with a new one of the same rating.
- **DO NOT** block any air ventilation slots.
- All fan and air inlets must remain clean and never blocked.
- Allow approx. 6" (15cm) between fixture and other devices or a wall for proper cooling.
- When installing fixture in a suspended environment, always use mounting hardware that is no less than M10 x 25 mm, and always install fixture with an appropriately rated safety cable.
- Always disconnect fixture from main power source before performing any type of service and/or cleaning procedure.
- Only handle the power cord by the plug end, and never pull out the plug by tugging the wire portion of the cord.
- During the initial operation of this fixture, a light smoke or smell may emit from the interior of the fixture. This is a normal process and is caused by excess paint in the interior of the casing burning off from the heat associated with the lamp and will decrease gradually over time.
- Consistent operational breaks will ensure fixture will function properly for many years.
- **ONLY** use the original packaging and materials to transport the fixture for service.

MAINTENANCE GUIDELINES



DISCONNECT POWER BEFORE PERFORMING ANY MAINTENANCE!

CLEANING

Frequent cleaning is recommended to ensure proper function, optimized light output, and an extended life. The frequency of cleaning depends on the environment in which the fixture operates: damp, smoky, or particularly dirty environments can cause greater accumulation of dirt on the fixture's optics. Clean periodically with a soft cloth to avoid dirt/debris accumulation.

NEVER use alcohol, solvents, or ammonia-based cleaners.

MAINTENANCE

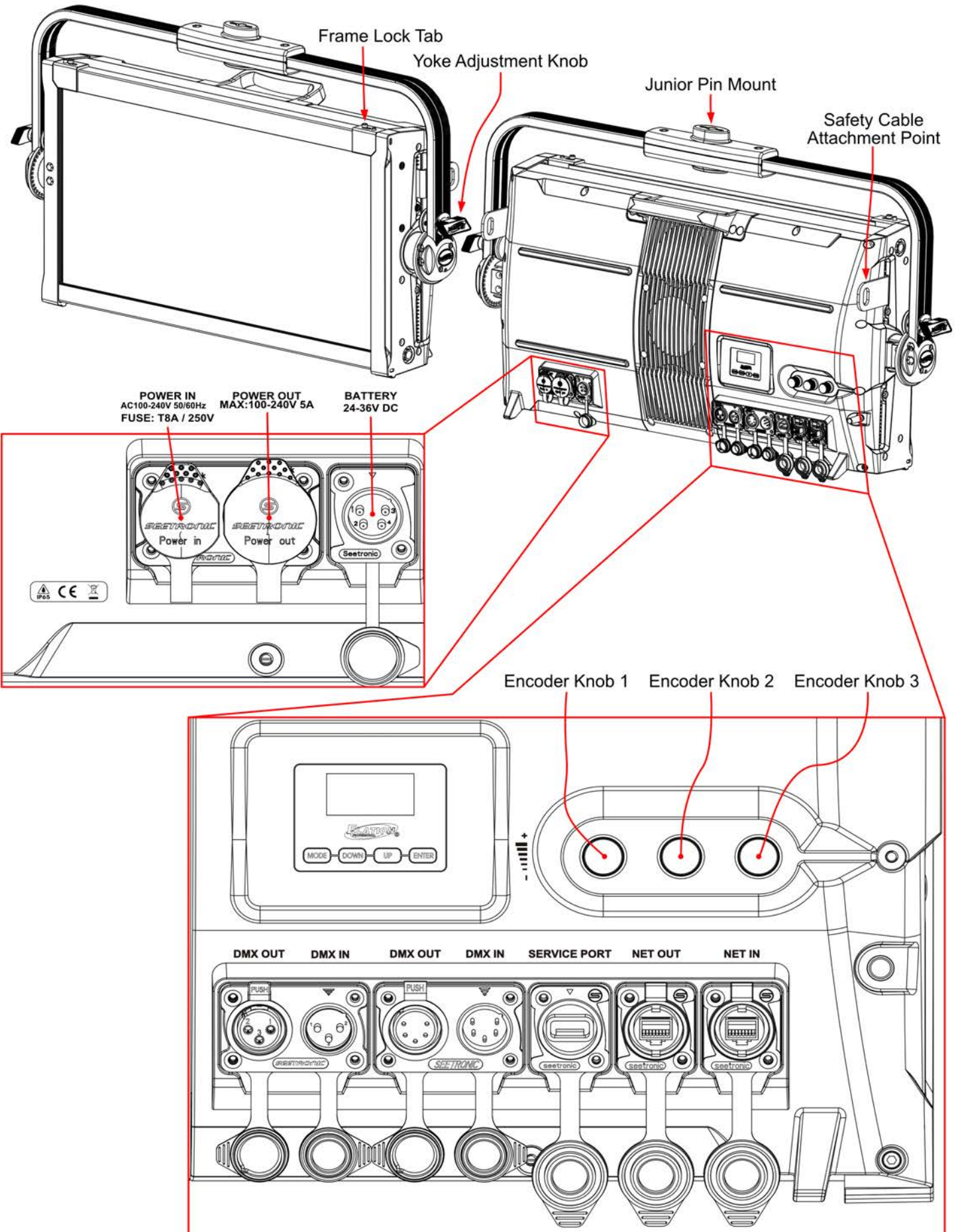
Regular inspections are recommended to ensure proper function and extended life. There are no user serviceable parts inside this fixture. Please refer all service issues to an authorized Elation service technician. Should you need any spare parts, please order genuine parts from an authorized Elation dealer.

Please refer to the following points during routine inspections:

- A detailed electrical check by an approved electrical engineer every three months, to make sure the circuit contacts are in good condition and prevent overheating.
- Be sure all screws and fasteners are securely tightened at all times. Loose screws may fall out during normal operation, resulting in damage or injury as larger parts could fall.
- Check for any deformations on the housing, color lenses, rigging hardware, and rigging points (ceiling, suspension, trussing). Deformations in the housing could allow for dust to enter into the fixture. Damaged rigging points or unsecured rigging could cause the fixture to fall and seriously injure a person(s).
- Electric power supply cables must not show any damage, material fatigue, or sediments.

NEVER remove the ground prong from the power cable.

FIXTURE OVERVIEW



FAN MODES and LOW NOISE OPERATION

The KL Panel XL IP is a high-performance fixture suited for multiple applications. For noise critical environments such as Theater, Opera or Orchestra Halls, it offers various fan operation modes which remove any distraction for the audience and performers. Fan Modes can be changed remotely via the DMX control channel, allowing the fixture to offer high output or whisper silent operation at a moment's notice. All Fan Modes smoothly transition over a brief time, preventing unwanted attraction to the fixture.

Mode	dbA at 1m LED off	dbA at 1m Dimmer 100%
Fan Control - Auto (Default)	39	46
Fan Control - High	50	59
Low Noise – Silent	32	33

Auto (Default)—Fans only run at the speeds needed to keep the LED engine within a safe temperature range and ensures optimal performance of the fixture. If possible, they will turn-off, for example, when the fixture is dimmed to a low intensity. Fans sense the ambient and fixture temperature, and will always try to keep noise levels to a minimum. The fixture output will only reduce when the LED engine cannot be cooled down to its safe operating range due to high ambient temperature.

NOTE: Recommended for daily operation.

Silent—For very critical noise environments, the fixture offers two additional Low Noise Modes for silent operation. The fixture output will be reduced, however due to the extremely high luminous flux the fixture still offers outstanding performance. In Low Noise Modes all parameters of the fixture operate quieter with reduced fan speeds. Almost all fixture fans are turned off, and only run when necessary. The fixture LED power output is reduced to 50%.

High—Fan speeds are increased throughout for the most efficient cooling of the fixture. This mode will increase wear on the fans and should only be utilized in exceptional circumstances. Fans will always run, even if the fixture is dimmed down. Fixture output is kept at 100% unless the LED engine temperature reaches an unsafe temperature at which point the fixture will reduce power carefully to ensure continued safe operation. This mode is only required in very high ambient temperatures when automatic fan speed adjustments are not desired.

TORQUE SETTINGS FOR SCREWS

The hex-head screws holding either the panels or the base **MUST** be tightened with a torque wrench (not included).

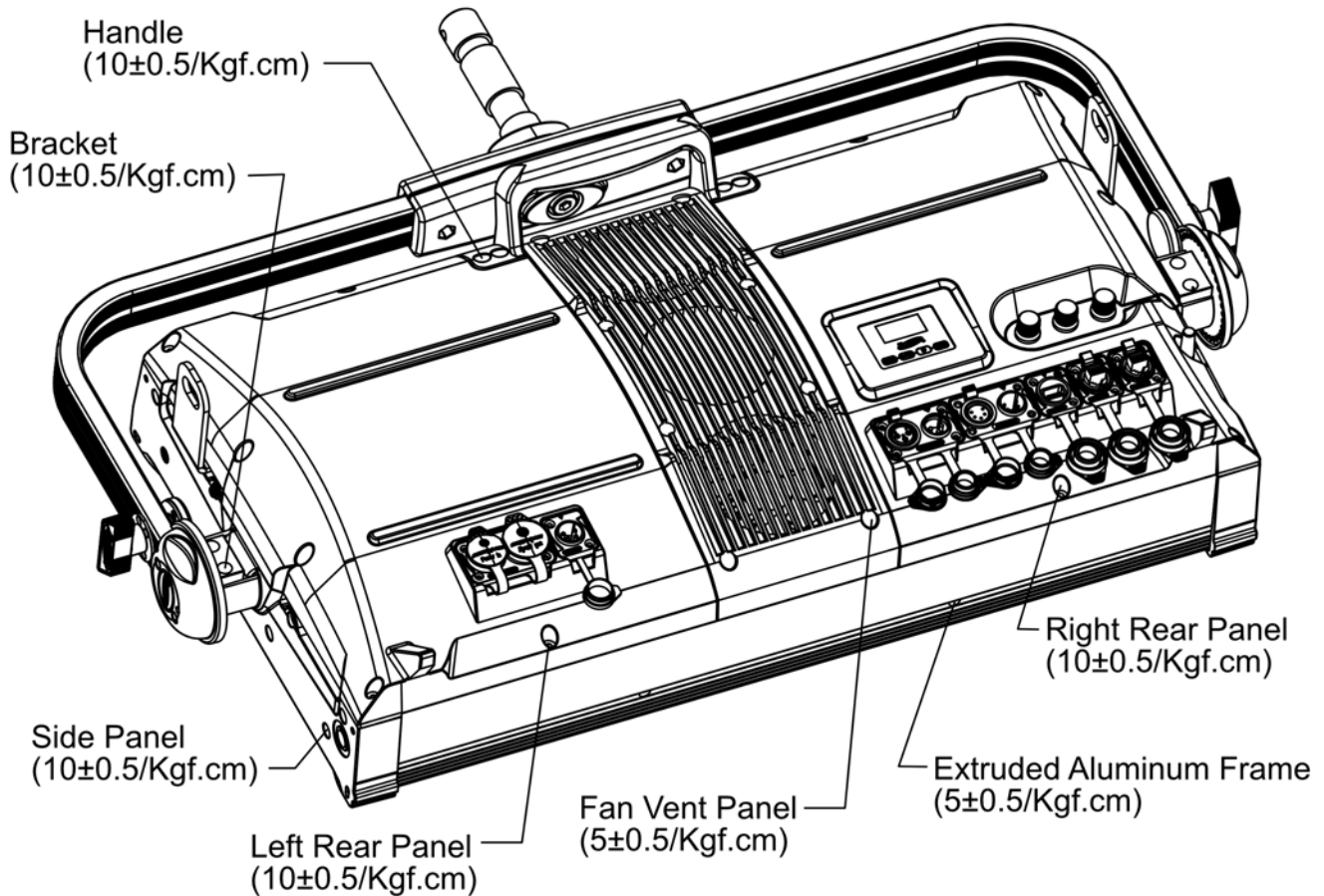
TORQUE SETTINGS:

lbf-in = Pound Force Inches

kgf-cm = Kilogram Force Centimeters



CAUTION! DO NOT OVER TORQUE SCREWS AS THIS CAN CAUSE LEAKAGE ISSUES! TO CONFIRM THE IP65 INTEGRITY AFTER SERVICING FIXTURE, TEST FIXTURE USING THE ELATION IP TESTER. CONTACT ELATION SERVICE FOR MORE DETAILS.



CAUTION! THE USE OF PROTECTIVE GLOVES AND SAFETY GOGGLES IS STRONGLY RECOMMENDED WHILE PERFORMING THE IP PRESSURE TEST! AVOID PLACING YOUR FACE, EYES, HANDS, ETC IN CLOSE PROXIMITY TO THE FIXTURE'S LENS WHILE PERFORMING THE TEST!



IP PRESSURE TESTING PARAMETERS

Test Type	Low Pressure Limit	High Pressure Limit	Hold Time
Pressure Test	2.90 psi (20.00 KPa)	3.36 psi (23.00 KPa)	15s

INSTALLATION INSTRUCTIONS



FLAMMABLE MATERIAL WARNING

Keep fixture minimum 5.0 feet (1.5m) away from flammable materials and/or pyrotechnics.



ELECTRICAL CONNECTIONS

A qualified electrician should be used for all electrical connections and/or installations.



DO NOT PERFORM THE INSTALLATION YOURSELF IF YOU ARE NOT QUALIFIED TO DO SO!

2 UNITS CAN BE LINKED AT 240V, AND 1 UNIT AT 110V. ALL LINKED UNITS MUST BE THE SAME MAKE AND MODEL. DO NOT MIX UNITS!

Fixture **MUST** be installed following all local, national, and country commercial electrical and construction codes and regulations.

Before rigging/mounting a single fixture or multiple fixtures to any metal truss/structure or placing the fixture(s) on any surface, a professional equipment installer **MUST** be consulted to determine if the metal truss/structure or surface is properly certified to safely hold the combined weight of the fixture(s), clamps, cables, and accessories.



DO NOT INSTALL THE FIXTURE WITH THE FRAME LOCK TAB ORIENTED TOWARDS THE GROUND. Ensure that the fixture is mounted with the Frame Lock Tab engaged, and oriented upwards. If the fixture is oriented with the Frame Lock Tab aimed toward the ground, and it is not engaged, the fixture accessory could slide out and cause damage or injury.

Maximum fixture ambient operating temperature is **113°F (45°C)**. Do not operate this fixture when ambient temperature exceeds this rating.

Fixture(s) should be installed in areas outside walking paths, seating areas, or away from areas where unauthorized personnel might reach the fixture by hand.

NEVER stand directly below the fixture(s) when rigging, removing, or servicing.

Overhead fixture installation must always be secured with a secondary safety attachment, such as an appropriately rated safety cable.

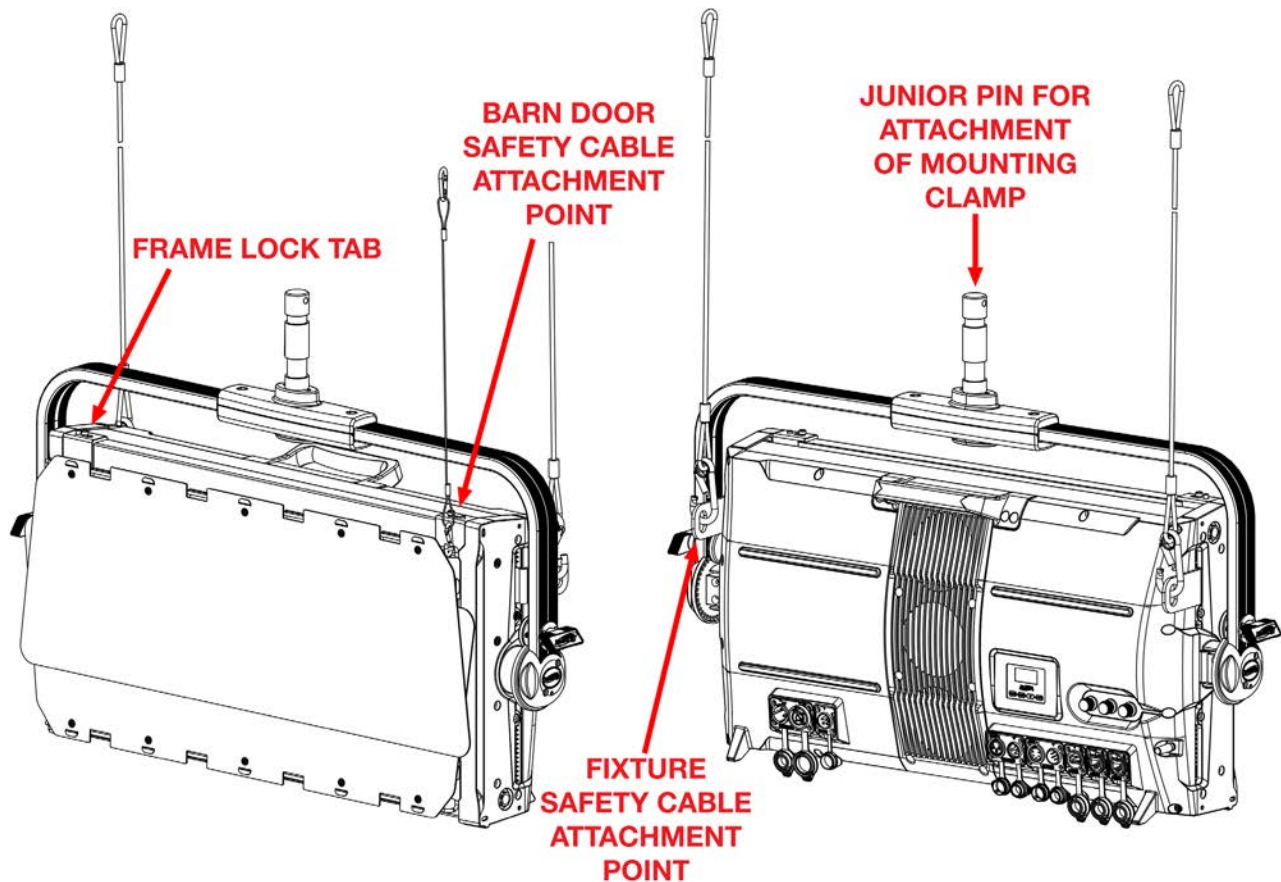
Allow approximately 15 minutes for the fixture to cool down before serving.

INSTALLATION INSTRUCTIONS

CLAMP INSTALLATION

A junior pin can be attached to the mounting surface on the fixture's mounting yoke, and this junior pin can then be used as an attachment point for a mounting clamp. Details on junior pin installation can be found in the **Accessory Installation** section of this manual.

The device also features a safety cable loop on mounting yoke hinge nearest to the DMX ports (see the illustration below for reference). When mounting the fixture to a truss or any other suspended or overhead installation, be sure to secure an appropriately rated clamp (not included) to the junior pin and attach a separate **SAFETY CABLE** of the appropriate safety rating to the safety cable rigging point. In the event that the optional barn doors are installed on this fixture, a secondary **SAFETY CABLE** is also required to be attached to the barn doors, as shown in the image below. For information on barn door installation, please refer to the **Accessory Installation** section of this manual.



ALWAYS ATTACH A SAFETY CABLE WHENEVER INSTALLING THIS FIXTURE IN A SUSPENDED ENVIRONMENT TO ENSURE THAT THE FIXTURE WILL NOT FALL IF THE CLAMP FAILS.



DO NOT INSTALL THE FIXTURE WITH THE FRAME LOCK TAB ORIENTED TOWARDS THE GROUND. Ensure that the fixture is mounted with the Frame Lock Tab engaged, and oriented upwards. If the fixture is oriented with the Frame Lock Tab aimed toward the ground, and it is not engaged, the fixture accessory could slide out and cause damage or injury.

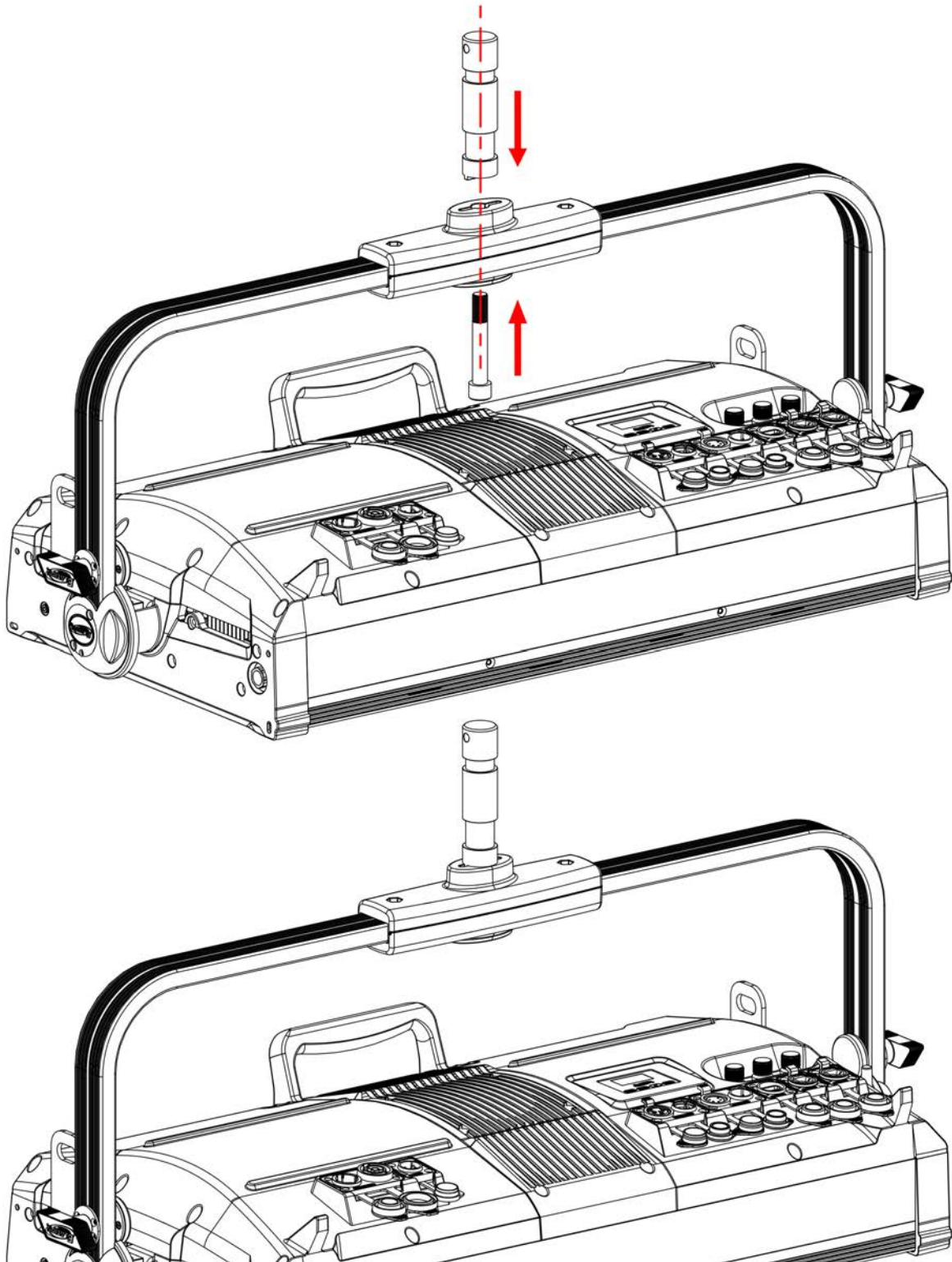
RIGGING

Overhead rigging requires extensive experience, including but not limited to: calculating working load limits, understanding the installation material being used, and periodic safety inspection of all installation material and the fixture itself. If you lack these qualifications, do not attempt to perform the installation yourself. Improper installation can result in bodily injury.

INSTALLATION INSTRUCTIONS

JUNIOR PIN INSTALLATION

To install the junior pin to the mounting point on the yoke, orient the junior pin with the notched end facing the yoke mounting point. Align the notch on the junior pin with the matching groove on the yoke mounting point. Then, insert the fastener from the other side of the yoke mounting point, making sure that the fastener goes through both the yoke and the junior pin, and tighten the fastener securely. The junior pin should now be securely installed.



INSTALLATION INSTRUCTIONS

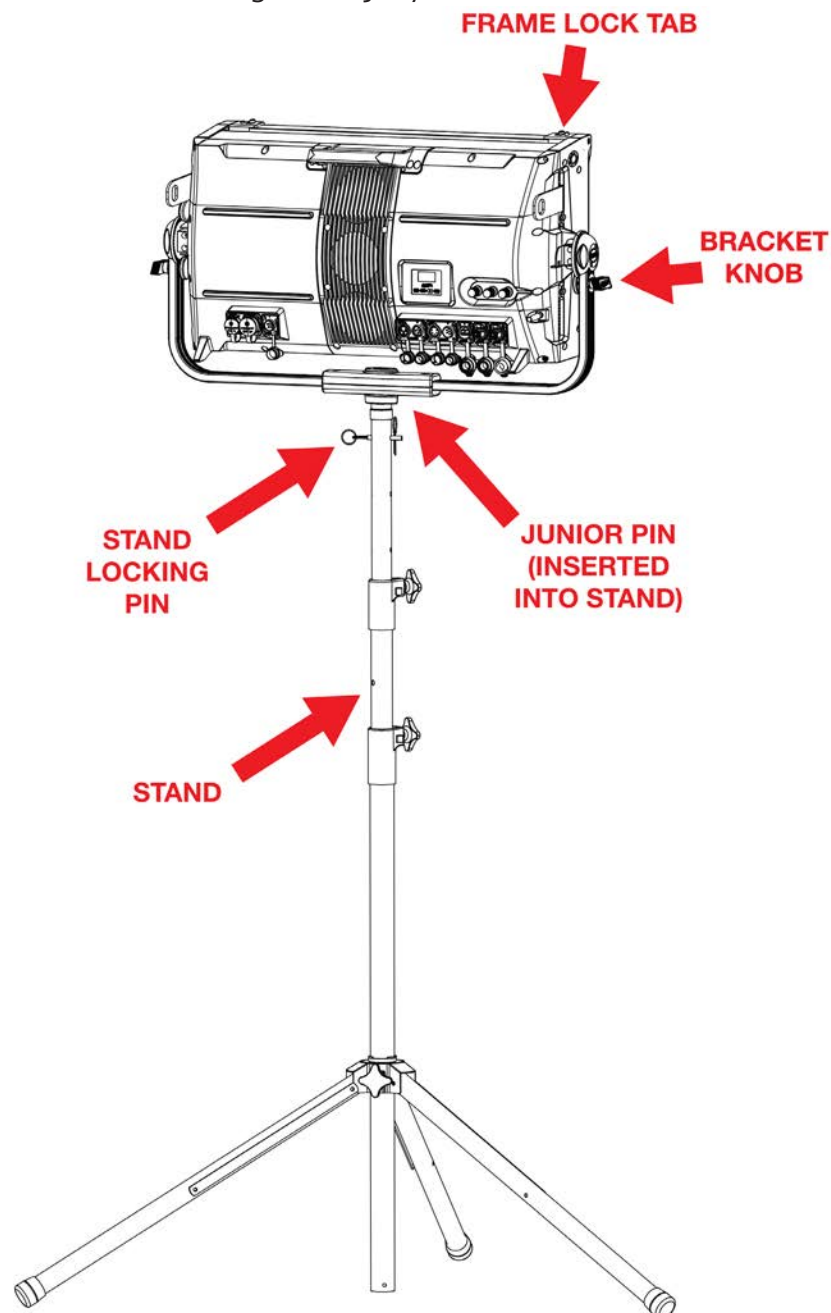
STAND MOUNT INSTALLATION

This device is capable of being stand mounted by following the steps below:

1. Install the Junior Pin, as detailed elsewhere in this section.
2. Lock the mounting bracket in place by tightening both bracket knobs.
3. Insert the Junior Pin into the top of the Tripod Stand. Align the through-hole on the Junior Pin with the holes in the top of the Tripod Stand, then insert the Locking Pin through the hole and fasten in place.
4. If necessary, loosen the bracket knobs, adjust the fixture to the desired position, then tighten the bracket knobs to lock the fixture in place. Use caution to prevent the Tripod Stand from tipping over during adjustment.



DO NOT INSTALL THE FIXTURE WITH THE FRAME LOCK TAB ORIENTED TOWARDS THE GROUND. Ensure that the fixture is mounted with the Frame Lock Tab engaged, and oriented upwards. If the fixture is oriented with the Frame Lock Tab aimed toward the ground, and it is not engaged, the fixture accessory could slide out and cause damage or injury.



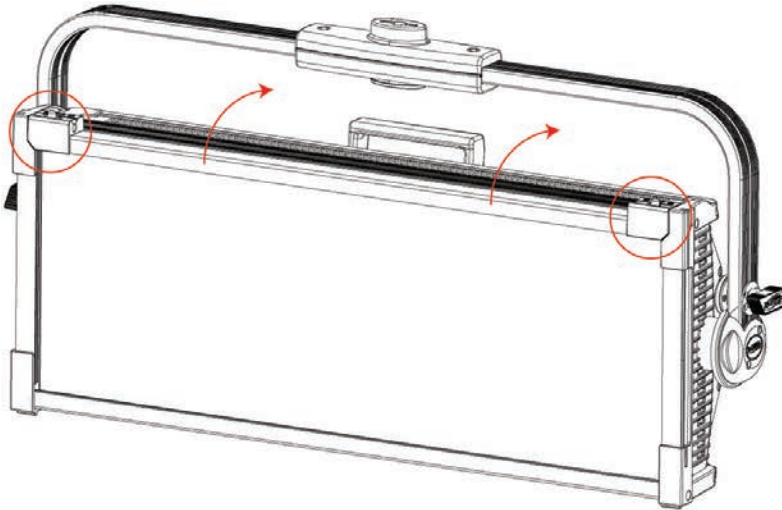
INSTALLATION INSTRUCTIONS

BARN DOOR INSTALLATION

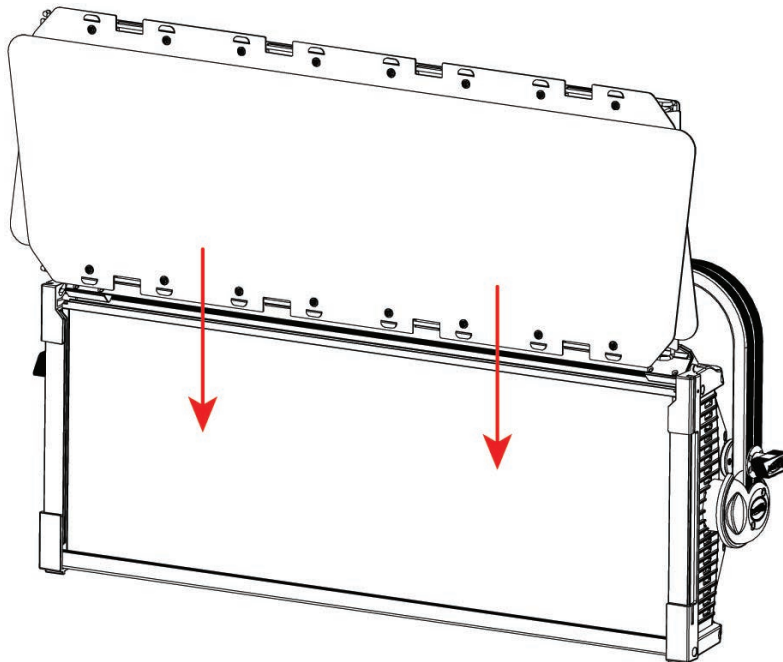


DO NOT INSTALL THE FIXTURE WITH THE FRAME LOCK TAB ORIENTED TOWARDS THE GROUND. Ensure that the fixture is mounted with the Frame Lock Tab engaged, and oriented upwards. If the fixture is oriented with the Frame Lock Tab aimed toward the ground, and it is not engaged, the fixture accessory could slide out and cause damage or injury.

1. Unlock both frame lock tabs using the latches located on each tab. Flip the top edge of the frame upward.



2. Look beneath the frame lock tabs and locate the installation slots on the inner edge of the frame. The slot closest to the front of the device should be vacant. Carefully slide the barndoor into this slot, then flip down the top edge of the frame and lock the frame lock tabs back in place.



3. With the barndoors locked securely in place, pull on the tabs at the edges of the barndoor flaps to deploy the barndoors. Installation is now complete. **Please note that the barndoor accessory must be installed with its own safety cable! Refer to the diagram in the Fixture Installation section of this manual.**

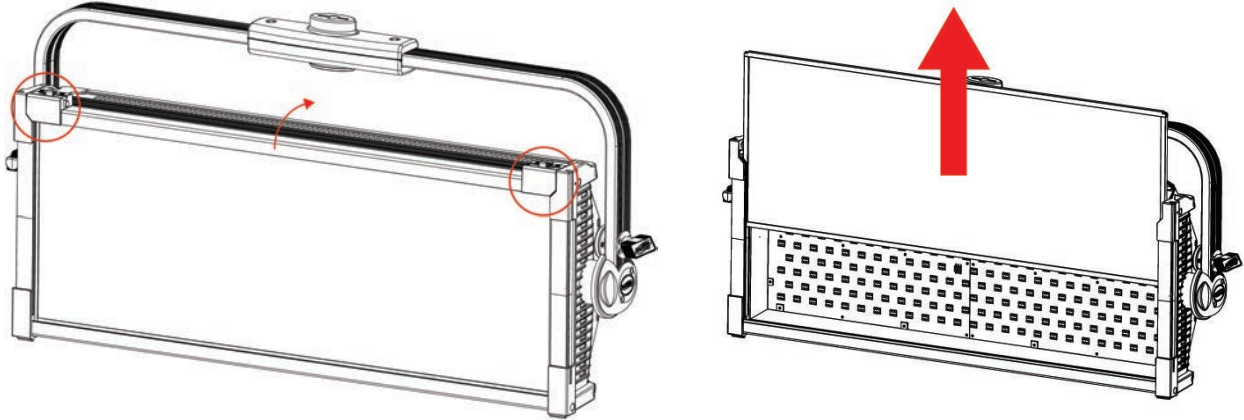
INSTALLATION INSTRUCTIONS

INTENSIFIER LENS INSTALLATION

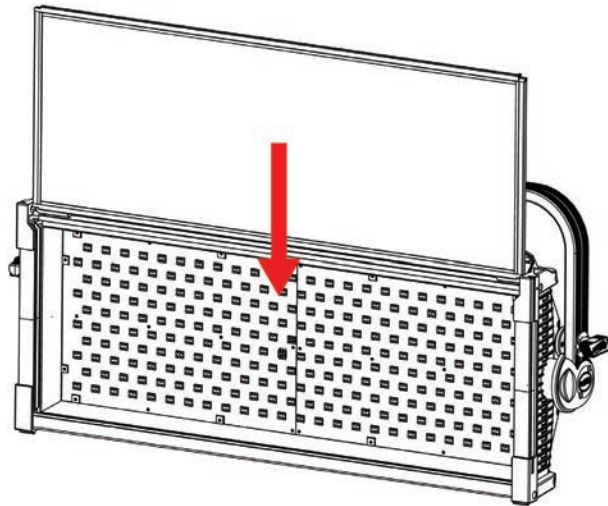


DO NOT INSTALL THE FIXTURE WITH THE FRAME LOCK TAB ORIENTED TOWARDS THE GROUND. Ensure that the fixture is mounted with the Frame Lock Tab engaged, and oriented upwards. If the fixture is oriented with the Frame Lock Tab aimed toward the ground, and it is not engaged, the fixture accessory could slide out and cause damage or injury.

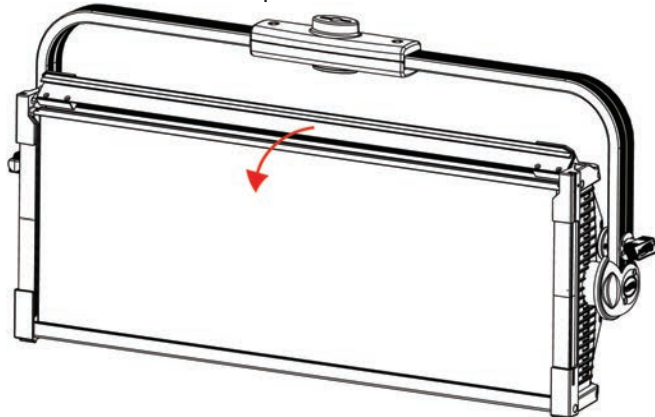
1. Unlock both frame lock tabs using the latches located on each tab (circled in the image below). Flip the top edge of the frame upward. Slide the standard lens upward out of its slot.



2. Slide the Intensifier Lens into the slot. Please note that the Intensifier Lens is **NOT reversible**. The forward-facing side of the Intensifier Lens should have a slight ridge in the lens frame, while the rearward-facing side should have a smooth lens frame.



3. Flip the top edge of the fixture frame back down into place, and lock the frame tabs back into place. The installation is now complete.



INSTALLATION INSTRUCTIONS

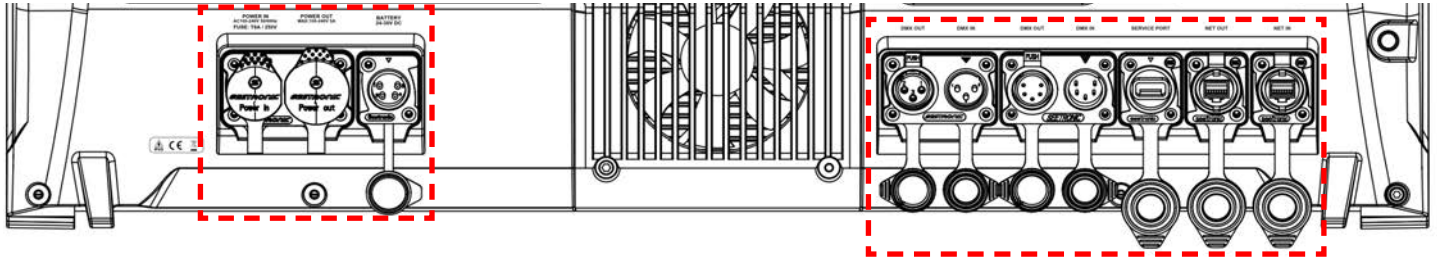
POWER CABLES



ENSURE ALL CONNECTIONS AND ENDCAPS ARE PROPERLY SEALED WITH DIELECTRIC GREASE (AVAILABLE AT MOST ELECTRICAL SUPPLIERS) TO PREVENT WATER CORROSION AND/OR ELECTRICAL SHORT CIRCUIT.



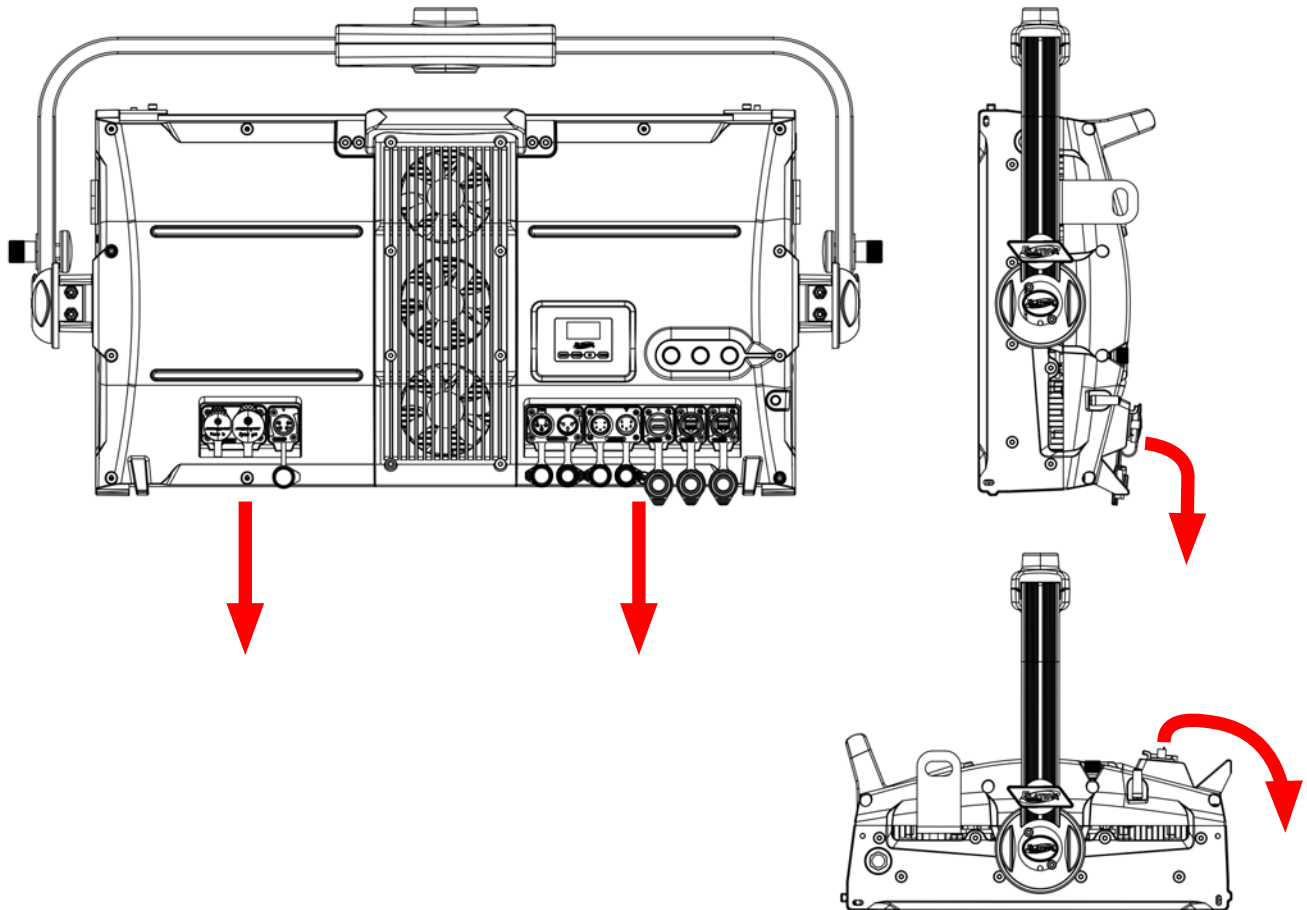
TO MAINTAIN THE IP65 RATING INTEGRITY OF THE FIXTURE AND PREVENT WATER FROM ENTERING THE FIXTURE, SEAL ALL UNUSED CONNECTION RUBBER CAPS.



POWER AND DATA CABLES



TO MAINTAIN THE IP65 RATING INTEGRITY OF THE FIXTURE, RUN ALL CABLES TOWARDS THE GROUND TO PREVENT WATER ACCUMULATION AROUND THE CONNECTIONS.



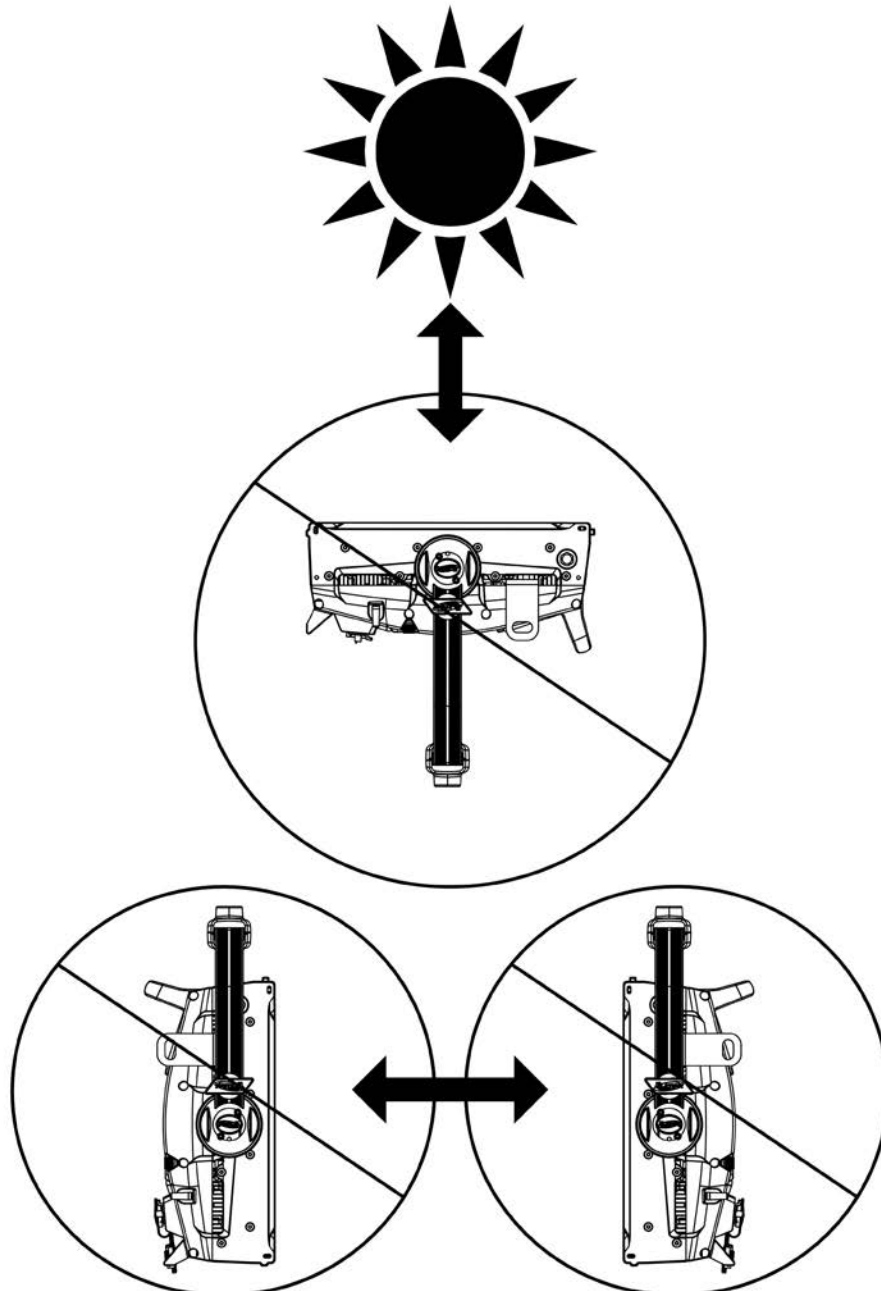
INSTALLATION INSTRUCTIONS

POTENTIAL INTERNAL FIXTURE DAMAGE FROM EXTERNAL SOURCES OF LIGHT BEAMS

External sources of light beams from direct sunlight, lighting moving head fixtures, and lasers, which are focused directly towards the exterior housing and/or penetrate the front lens opening of ELATION lighting fixtures, can cause severe internal damage including burning to optics, dichroic color filters, glass and metal gobos, prisms, animation wheels, frost filters, iris, shutters, motors, belts, wiring, discharge lamps, and LEDs.

This issue is not specific only to ELATION lighting fixtures, it is a common issue with lighting fixtures from all manufacturers. Although there is no true way to fully prevent this issue from happening, the guidelines below can prevent any potential damage from occurring if followed. Contact ELATION Service for more details.

DO NOT EXPOSE THE FIXTURE AND/OR FRONT LENS OPENING TO LIGHT BEAMS FROM DIRECT SUNLIGHT, OTHER LIGHTING MOVING HEAD FIXTURES, AND LASERS WHILE UNPACKING, INSTALLATION, USE, AND EXTENDED IDLE TIMES OUTDOORS. DO NOT FOCUS A LIGHT BEAM FROM ONE LIGHTING FIXTURE DIRECTLY TOWARDS ANOTHER.



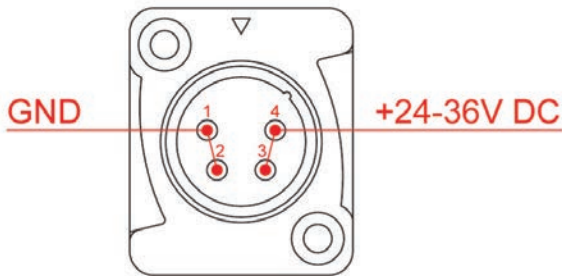
BATTERY CONNECTION

This device is capable of receiving power from a battery pack.

NOTICE: The user is responsible for ensuring compatibility between the device and the battery pack. Always ensure that the output specifications, operating conditions, and connection pinouts of the battery pack match the device requirements.

The device features a 4-pin XLR connector for battery power. The connector is located on the back of the device, next to the DMX In/Out connectors, and is covered with a dust cap. **BE CAREFUL NOT TO CONNECT BATTERY POWER TO ONE OF THE DMX CONNECTORS BY MISTAKE!**

Pinout Diagram



Pin	Assignment
1	GND
2	
3	+24-36VDC
4	

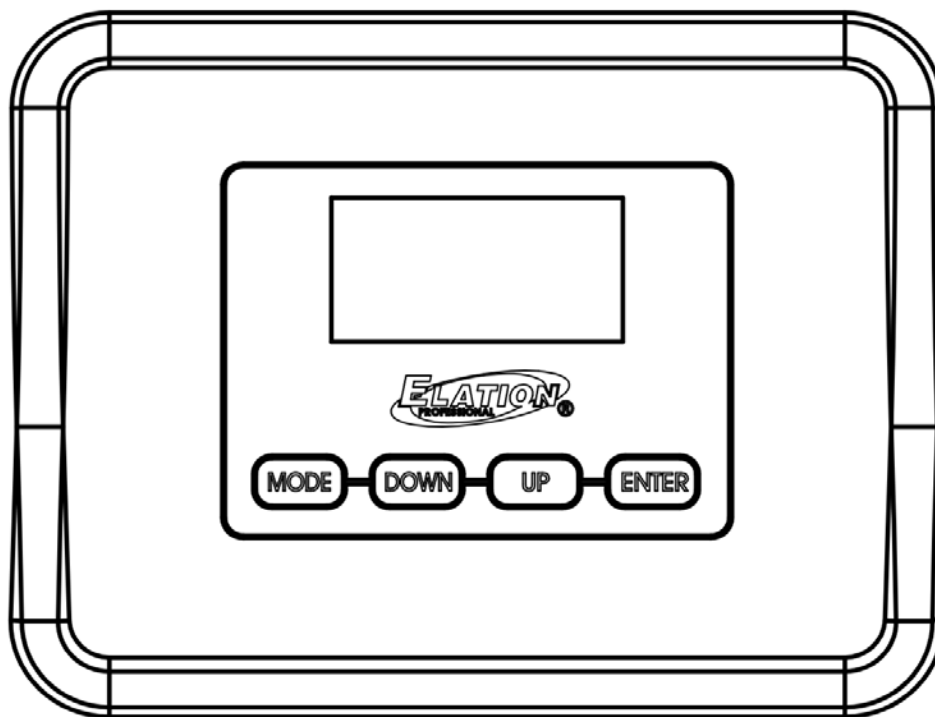
Consult the **Safety Guidelines** section of this user manual, as well as any safety instructions included with your battery pack before use or installation.

The device consumes up to 544W when operating all LEDs at full output, which may require significant battery output to provide the required power. To extend the battery life, it is possible to reduce the LED power by up to to 50% of maximum output using the "LED Power Limit" menu in the Personality section of the system menu. Please refer to the **System Menu** section of this manual for detailed information.

SYSTEM MENU

The fixture includes an easy to navigate system menu. The control panel (see image below) located on the back of the fixture provides access to the main system menu, where all necessary system adjustments are made. During normal operation, pressing the MODE button once will access the fixture's main menu. Once in the main menu, you can navigate through the different functions and access the sub-menus with the UP and DOWN buttons. Once you reach a field that requires adjusting, press the ENTER button to activate that field and use the UP and DOWN buttons to adjust the field. Pressing the ENTER button once more will confirm your setting. You may exit the main menu at any time without making any adjustments by pressing the MODE button.

The display screen can be locked by selecting **PERSONALITY > DISPLAY > SCREEN LOCK**. To unlock the display screen, simply press and hold the MODE button for three (3) seconds.



A USB FLASH DRIVE CAN BE USED TO UPDATE THE FIXTURE TO THE LATEST SOFTWARE. Using a USB Flash Drive loaded with the latest software, insert it into the USB Service Port, then navigate to **PERSONALITY/SERVICE**, enter the passcode (050), and select **UPDATE SOFTWARE**. A copy of the latest software can be obtained by contacting Elation Support.



AN ELATION E-LOADER III CAN ALSO BE USED TO UPDATE THE FIXTURE TO THE LATEST SOFTWARE. To order this device, please contact Elation Support for further details.

ELATION SERVICE USA - Monday - Friday 8:00am to 4:30pm PST
323-582-3322 | Fax 323-832-9142 | support@elationlighting.com

ELATION SERVICE EUROPE - Monday - Friday 08:30 to 17:00 CET
+31 45 546 85 63 | Fax +31 45 546 85 96 | support@elationlighting.eu

SYSTEM MENU

ELATION KL Panel XL IP - System Menu			
HOME INTERFACE SHOW	xx CH xxxx ADDR: 001		Displays currently selected DMX mode
ENCODER MODE	Disabled		Select to run fixture in DMX control mode
	Int CCT GRN		Select to run fixture in CCT mode with encoder control
	HSI		Select to run fixture in HSI mode with encoder control
	Int Color Sat		Select to run fixture in Color mode with encoder control
	Manual Control		Select to run fixture in manual control mode with encoder control
DMX SETTINGS	DMX Address	001 - 512	
	DMX Mode	1Ch Dimmer	
		4Ch Dimmer Color	
		7Ch Dimmer Color FX	
		6Ch RGBWLC	
		12Ch RGBWLC 16bit	
		48Ch RGBWLC Cells	
		96Ch RGBWLC Cells 16bit	
		24CH RGB Cells	
		14Ch Standard	
		23Ch Extended	
		58Ch Extended Cells	
		4Ch HSI	
		12Ch HSI Ex	
	No DMX Status	Hold Last	
Fade to Black			
Standalone			
STANDALONE	Dimmer	0% - 100%	
	CCT	2000K - 10000K	
	Green Shift	-100%- 0% -100%	Default = 0%
	Virtual Color	Color01 - Color53	

SYSTEM MENU

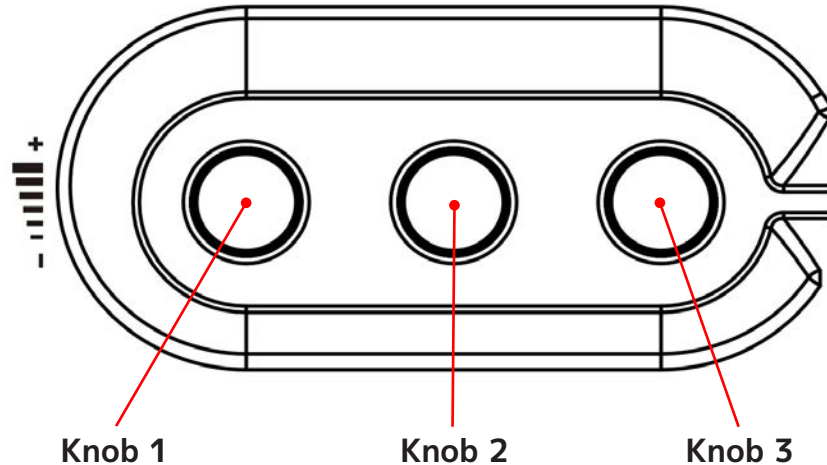
ELATION KL Panel XL IP - System Menu				
PERSONALITY	Primary	On / Off		
	Secondary	On / Off		
	Select Signal	DMX or E-Fly E-Fly and DMX Out		
	Dim Mode	Standard		
		Stage		
		TV		
		Architectural		
		Theatre		
		Stage 2		
	Dim Curves	Dim Speed	0s - 10s	Default = 0.0 s
		Linear		
		Square		
		Square Inverse		
	E-Fly Setting	E-Fly Setting	00 - 14	
		Set Channel		
		Enable E-Fly	Yes / No	
	LED Refresh Rate	900Hz - 1500Hz (1200Hz), 2500Hz, 4000Hz, 5000Hz, 6000Hz, 10KHz, 15KHz, 20KHz, 25KHz		Default = 1200 Hz
	LED Power Limit	50%, 60%, 70%, 80%, 90%, 100%		
	Fan Mode	Auto , Silent, High		
	Display	Display Screen Delay	10s - 5min (default = 1min)	Display returns to home screen after 30s of inactivity
		Display Screen Lock	Off , 10s - 5min	
		Rotate Display	Yes / No / Auto	
	Network	Switch	On / Off	
		Universe	0 - 255	
		IP: 002.000.000.002		
		Subnet: 255.000.000.000		
	Service	Protocol	ArtNet / KlingNet / sACN	
		Calibration	Red: 50 - 255	
Green: 50 - 255				
Blue: 50 - 255				
...				
Update Software (USB Update)		Yes / No		
Factory Restore	Yes / No			
Edit RDM UID	xxxxxx			

SYSTEM MENU

ELATION KL Panel XL IP - System Menu				
INFORMATION	Life Time	xxxxxx hrs		Total fixture run time, not resettable
	Last Run Time	xxxxxx hrs		Fixture run time, resettable
	Time Reset	Passcode = 038		Reset Last Run Time
	Temperature	Current		
		Max Resettable		
		Reset (passcode = 038)		
	DMX Values	R: xxx		
		G: xxx		
		B: xxx		
		...		
	Product IDs	Max Address	xxx-xxx-xxx...	
		RDM UID	xxxxxx...	
	Error Logs	Fixture Errors	None None	
Reset Error Log	No / Yes	Passcode = 050		
Software Verson	Vx.x.x			

MANUAL MODE

ENCODER KNOB DESIGNATIONS



INT CCT GRN (INTENSITY, COLOR TEMPERATURE, GREEN SHIFT)

Encoder Knob	Parameter	Display	Resolution/Steps	Default
1	Intensity	Intensity 0 - 100%	1%	0%
2	Color Temperature	CCT 2000 - 10000K	100K	6000K
3	Green Shift	GRN -100% - +100%	1%	Neutral

HSI (HUE, SATURATION, INTENSITY)

Encoder Knob	Parameter	Display	Resolution/Steps	Default
1	Intensity	Intensity 0 - 100%	1%	0%
2	Color Temperature	CCT 2000 - 10000K	100K	6000K
3	Green Shift	GRN -100% - +100%	1%	Neutral

INT COL SAT (INTENSITY, COLOR, SATURATION)

Encoder Knob	Parameter	Display	Resolution/Steps	Default
1	Intensity	Intensity 0 - 100%	1%	0%
2	Color	White, Virtual Color 1, 2, 3...	Single Color	White
3	Saturation	Sat 0 - 100%	1%	100%

MANUAL

Encoder Knob	Parameter	Display	Resolution/Steps	Default
1	Intensity	Intensity 0 - 100%	1%	0%
2	Setting Adjustment	[Setting Name] 0 - 255	1	0
3	Setting Selection	[Setting Name] 0 - 255	Strobe / Red / Green / Blue / White / Lime / Cyan	Strobe

DMX TRAITS: CHANNEL FUNCTIONS & VALUES

Features subject to change without notice

MODE/CHANNEL													VALUE	FUNCTION	
1CH Dimmer	4CH Dim Color	7CH Dim Color FX	6CH RGB WLC	12CH RGB WLC 16bit	48CH RGB WLC Cells	96CH RGB WLC Cells 16bit	24CH RGB Cells	14CH Sta	23CH Ext	58CH Ext Cells	4CH HSI	12CH HSI EXT			
															Shutter, strobe:
														0-31	Shutter closed
														32-63	shutter open
								1	1	1			1	64-95	Strobe effect
														96-127	shutter open
														128-159	Pulse-effect
														160-191	shutter open
														192-223	Random strobe
														224-255	shutter open
1	1	1						2	2	2	1	2		0-255	Dimmer: Intensity 0 to 100%
	2	2						3	3	3	2	3		0-255	Dimmer Fine: Dimmer fine
											3	4		0-255	Hue: 0 to 100%
											4	5		0-255	Saturation: 0 to 100%
			1	1				4	4					0-255	Red: 0 to 100%
				2					5					0-255	Red Fine: 0 to 100%
			2	3				5	6					0-255	Green: 0 to 100%
				4					7					0-255	Green Fine: 0 to 100%
			3	5				6	8					0-255	Blue: 0 to 100%
				6					9					0-255	Blue Fine: 0 to 100%
			4	7					10					0-255	White: 0 to 100%
				8					11					0-255	White Fine: 0 to 100%
			5	9					12					0-255	Lime: 0 to 100%
				10					13					0-255	Lime Fine: 0 to 100%
			6	11					14					0-255	Cyan: 0 to 100%
				12					15					0-255	Cyan Fine: 0 to 100%
	3	3						7	16	3		6			CCT: 0 to 100%
														0-19	Open
														20-100	2000K -10000K
														101-255	10000K
								8	17	4					Green Shift: 0 to 100%
														0	Idle
														1-127	Reddish to neutral
														128	neutral
														129-255	neutral to Green
	4	4						9	18	5		7			Color Wheel:
														0	Open
														1-60	Virtual Swatch Book
															Color Scroll
														180-200	Clockwise fast→slow
														201-208	Stop
														209-229	Counterclockwise slow→ fast
														230-234	Open
															Random Slots
														235-239	Fast
														240-244	Medium
														245-249	Slow
														250-255	Open

DMX TRAITS: CHANNEL FUNCTIONS & VALUES

Features subject to change without notice

MODE/CHANNEL													VALUE	FUNCTION			
1CH Dimmer	4CH Dim Color	7CH Dim Color FX	6CH RGB WLC	12CH RGB WLC 16bit	48CH RGB WLC Cells	96CH RGB WLC Cells 16bit	24CH RGB Cells	14CH Sta	23CH Ext	58CH Ext Cells	4CH HSI	12CH HSI EXT					
																Dim Modes	
																0-20	Standard
																21-40	Stage
																41-60	TV
																61-80	Architectural
																81-100	Theatre
																101-120	Stage 2
																	Dimmer Delay Time
																121	0s
																122	0.1s
																123	0.2s
																124	0.3s
																125	0.4s
																126	0.5s
								10	19	6						127	0.6s
																128	0.7s
																129	0.8s
																130	0.9s
																131	1.0s
																132	1.5s
																133	2.0s
																134	3.0s
																135	4.0s
																136	5.0s
																137	6.0s
																138	7.0s
																139	8.0s
																140	9.0s
																141	10s
																142-255	Idle
																	Control:
																0-29	Idle
																30-39	Fan Mode Auto
																40-49	Fan Mode Silent
																50-59	Fan Mode High
																60-79	Idle
																80-84	Reset
																85-99	Idle
																100-168	Refresh Rate (Hz)
																100	900
																101	910
																102	920
																103	930
																104	940
																105	950
																106	960
																107	970
																108	980
																109	990
																110	1000
																111	1010
																112	1020
																113	1030
																114	1040

DMX TRAITS: CHANNEL FUNCTIONS & VALUES

Features subject to change without notice

MODE/CHANNEL													VALUE	FUNCTION
4CH Dim Color	7CH Dim Color FX	6CH RGB WLC	12CH RGB WLC 16bit	48CH RGB WLC Cells	96CH RGB WLC Cells 16bit	24CH RGB Cells	14CH Sta	23CH Ext	58CH Ext Cells	4CH HSI	12CH HSI EXT			
													115	1050
													116	1060
													117	1070
													118	1080
													119	1090
													120	1100
													121	1110
													122	1120
													123	1130
													124	1140
													125	1150
													126	1160
													127	1170
													128	1180
													129	1190
													130	1200
													131	1210
													132	1220
													133	1230
													134	1240
													135	1250
													136	1260
													137	1270
													138	1280
													139	1290
													140	1300
								11					141	1310
									20				142	1320
										7			143	1330
													144	1340
													145	1350
													146	1360
													147	1370
													148	1380
													149	1390
													150	1400
													151	1410
													152	1420
													153	1430
													154	1440
													155	1450
													156	1460
													157	1470
													158	1480
													159	1490
													160	1500
													161	2500
													162	4000
													163	5000
													164	6000
													165	10000
													166	15000
													167	20000
													168	25000

DMX TRAITS: CHANNEL FUNCTIONS & VALUES

Features subject to change without notice

MODE/CHANNEL													VALUE	FUNCTION
1CH Dimmer	4CH Dim Color	7CH Dim Color FX	6CH RGB WLC	12CH RGB WLC 16bit	48CH RGB WLC Cells	96CH RGB WLC Cells 16bit	24CH RGB Cells	14CH Sta	23CH Ext	58CH Ext Cells	4CH HSI	12CH HSI EXT		
													169-200	No Function
													201-210	Linear
													211-220	Square
													221-230	Inverse Square
													231-240	S-Curve
								11	20	7		9	241	program1 (Scene 1-8)
													242	program2 (Scene 9-16)
													243	program3 (Scene 17-24)
													244	program4 (Scene 25-32)
													245	program5 (Scene 33-40)
													246	program6 (Scene 41-48)
													247	program7 (Scene 49-56)
													248-255	No Function
		5						12	21	8		10	0-255	FX: See Table
		6						13	22	9		11	0-255	FX Adjust: See Table
														FX Offset
													0	Idle
													1	Fixture Offset 10 Degree
													2	Fixture Offset 20 Degree
													3-34	Fixture Offset...
													35	Fixture Offset 350 Degree
													36	Synchronized
													37-100	No Function
													101-120	Random Fixture Offset
													121-140	Random Pixel Order
													141-255	Random Steps
					1	1	1						0-255	Red 1: 0 to 100%
						2							0-255	Red 1 Fine: 0 to 100%
					2	3	2						0-255	Green 1: 0 to 100%
						4							0-255	Green 1 Fine: 0 to 100%
					3	5	3						0-255	Blue 1: 0 to 100%
						6							0-255	Blue 1 Fine: 0 to 100%
					4	7							0-255	White 1: 0 to 100%
						8							0-255	White 1 Fine: 0 to 100%
						9							0-255	Lime 1: 0 to 100%
						10							0-255	Lime 1 Fine: 0 to 100%
						11							0-255	Cyan 1: 0 to 100%
						12							0-255	Cyan 1 Fine: 0 to 100%
					43	85							0-255	Red 8: 0 to 100%
						86							0-255	Red 8 Fine: 0 to 100%
					44	87							0-255	Green 8: 0 to 100%
						88							0-255	Green 8 Fine: 0 to 100%
					45	89							0-255	Blue 8: 0 to 100%
						90							0-255	Blue 8 Fine: 0 to 100%
					46	91							0-255	White 8: 0 to 100%
						92							0-255	White 8 Fine: 0 to 100%
					47	93							0-255	Lime 8: 0 to 100%
						94							0-255	Lime 8 Fine: 0 to 100%
					48	95							0-255	Cyan 8: 0 to 100%
						96							0-255	Cyan 8 Fine: 0 to 100%

DMX TRAITS: FX TABLE

Type	Slot	DMX	Name	FX Adjustment	Notes/Steps	Color Mix
Emergency		0	OFF			
	1	2	Red Blue Police	Speed	Onyx Bank 25 Fader 1 and 2	Ignore
	2	2	Red Blue Burst Police	Speed	Onyx Bank 25 Fader 3	Ignore
	3	3	RBA Police	Speed	Onyx Bank 25 Fader 4 and 5	Ignore
	4	4	RBA Burst Police	Speed	Onyx Bank 25 Fader 6	Ignore
	5	5	Blue Police	Speed	Onyx Bank 25 Fader 7	Ignore
	6	6	Red Fire	Speed	Onyx Bank 25 Fader 7 in Red	Ignore
	7	7	Red White Fire	Speed	Onyx Bank 25 Fader 7 in Red and White	Ignore
	8	8	Roadside Emergency	Speed	Onyx Bank 25 Fader 7 in Amber	Ignore
	9	9				
	10	10				
	11	11				
	12	12				
	13	13				
	14	14				
	15	15				
	16	16				
	17	17				
	18	18				
	19	19				
20	20					
Color Party	21	21	Party Lights	Speed	Onyx Bank 27 Fader 1	Ignore
	22	22	Party with Strobe	Speed	Onyx Bank 27 Fader 2	Ignore
	23	23	Disco	Speed	tbd	Ignore
	24	24	Disco 2	Speed	tbd	Ignore
	25	25	Rave	Speed	tbd	Ignore
	26	26	Rave 2	Speed	tbd	Ignore
	27	27				
	28	28				
	29	29				
	30	30	CMY Wave	Speed	Onyx Bank 26 Fader 8	Ignore
	31	31	CMY Step	Speed	Onyx Bank 26 Fader 8 no fade	Ignore
	32	32	RGB Wave	Speed	Onyx Bank 26 Fader 9	Ignore
	33	33	RGB Step	Speed	Onyx Bank 26 Fader 9 no fade	Ignore
	34	34	CMYRGB Wave	Speed	Cyan/Magenta/Yellow/Red/Green/Blue Fade	Ignore
	35	35	CMYRGB Step	Speed	Cyan/Magenta/Yellow/Red/Green/Blue Step	Ignore
	36	36				
	37	37				
	38	38				
	39	39				
	40	40				

DMX TRAITS: FX TABLE

Type	Slot	DMX	Name	FX Adjustment	Notes/Steps	Color Mix
Fire	41	41	Campfire	Speed	Onyx Bank 25 Fader 8	Ignore
	42	42	Candle	Speed	Onyx Bank 25 Fader 9	Ignore
	43	43	Windy Candle	Speed	Onyx Bank 25 Fader 10	Ignore
	44	44	Large Fire	Speed	tbd	Ignore
	45	45				
	46	46				
	47	47				
	48	48				
	49	49				
	50	50	Fireworks Color	Delay	tbd	Ignore
	51	51	Fireworks White	Delay	tbd	Ignore
	52	52	Fireworks Combo	Delay	tbd	Ignore
	53	53				
	54	54				
	55	55				
	56	56				
	57	57				
	58	58				
	59	59				
	60	60				
Weather	61	61	Lightning 1	Delay	Onyx Bank 26 Fader 1	Use
	62	62	Lightning 2	Delay	Onyx Bank 26 Fader 2	Use
	63	63	Lightning 3	Delay	Onyx Bank 26 Fader 3	Use
	64	64				
	65	65				
	66	66				
	67	67				
	68	68				
	69	69				
	70	70				
	71	71	Clouds	Speed	Onyx Bank 26 Fader 4	Use
	72	72				
	73	73				
	74	74				
	75	75				
	76	76				
	77	77				
	78	78				
	79	79				
	80	80				

DMX TRAITS: FX TABLE

Type	Slot	DMX	Name	FX Adjustment	Notes/Steps	Color Mix
Flashes	81	81	Paparazi 1	Speed	Onyx Bank 26 Fader 5	Use
	82	82	Paparazi 2	Speed	Onyx Bank 26 Fader 6	Use
	83	83	Paparazi 3	Speed	Onyx Bank 26 Fader 7	Use
	84	84				
	85	85				
	86	86				
	87	87				
	88	88				
	89	89				
	90	90	Film Projector	Speed	Onyx Bank 27 Fader 10	Use
	91	91	TV Flicker	Speed	tbd	Use
	92	92	Welding	Speed	tbd	Ignore
	93	93	Flourescent	Speed	tbd	Use
	94	94				
	95	95				
	96	96				
	97	97				
	98	98				
	99	99				
	100	100				
	101-255	101-255				

DMX TRAITS: FX ADJUST TABLE

Value	Function
	Speed
0-5	Stop
6-255	0.1 - 10Hz
	Delay
0-5	Idle
6-10	One Time FX
11-110	Delay 0.1s to 10s
111-210	Random Delay 0.1s to 10s
211-255	Idle

COLOR TEMPERATURE

DMX VALUE	COLOR TEMPERATURE (K)	DMX VALUE	COLOR TEMPERATURE (K)
20	2000	61	6100
21	2100	62	6200
22	2200	63	6300
23	2300	64	6400
24	2400	65	6500
25	2500	66	6600
26	2600	67	6700
27	2700	68	6800
28	2800	69	6900
29	2900	70	7000
30	3000	71	7100
31	3100	72	7200
32	3200	73	7300
33	3300	74	7400
34	3400	75	7500
35	3500	76	7600
36	3600	77	7700
37	3700	78	7800
38	3800	79	7900
39	3900	80	8000
40	4000	81	8100
41	4100	82	8200
42	4200	83	8300
43	4300	84	8400
44	4400	85	8500
45	4500	86	8600
46	4600	87	8700
47	4700	88	8800
48	4800	89	8900
49	4900	90	9000
50	5000	91	9100
51	5100	92	9200
52	5200	93	9300
53	5300	94	9400
54	5400	95	9500
55	5500	96	9600
56	5600	97	9700
57	5700	98	9800
58	5800	99	9900
59	5900	100-255	10000
60	6000		

VIRTUAL SWATCH BOOK

VALUE	FILTER #	COLOR	VALUE	FILTER #	COLOR
1	7	pale yellow	31	126	Mauve
2	103	straw	32	49	Medium Purple
3	151	gold tint	33	58	Lavender
4	100	spring yellow	34	199	Palace Blue
5	10	medium yellow	35	119	Dark Blue
6	101	yellow	36	132	Medium Blue
7	104	deep amber	37	120	Deep Blue
8	15	deep straw	38	165	Daylight Blue
9	179	loving amber	39	161	Slate Blue
10	21	gold amber	40	118	Light Blue
11	105	orange	41	68	Sky Blue
12	158	deep orange	42	143	Pale Navy Blue
13	22	dark amber	43	131	Marine Blue
14	778	millennium gold	44	115	Peacock Blue
15	135	deep golden amber	45	172	Lagoon Blue
16	24	scarlet	46	116	Medium Blue Green
17	106	primary red	47	90	Dark Yellow Green
18	26	bright red	48	139	Primary Green
19	27	medium red	49	122	Fern Green
20	19	fire	50	89	Moss Green
21	157	pink	51	124	Dark Green
22	36	medium pink	52	88	Lime Green
23	111	dark pink	53	138	Pale Green
24	128	bright pink	54	203	Quarter CT Blue
25	148	bright rose	55	202	Half CT Blue
26	332	special rose pink	56	201	FULL CT Blue
27	793	vanity fair	57	200	Double CT Blue
28	113	Magenta	58	206	Quarter CT Orange
29	46	Dark Magenta	59	205	Half CT Orange
30	48	Rose Purple	60	204	FULL CT Orange

REMOTE DEVICE MANAGEMENT (RDM)

NOTE: In order for RDM to work properly, RDM enabled equipment must be used throughout the entire system, including DMX data splitters and wireless systems.

Remote Device Management (RDM) is a protocol that sits on top of the DMX512 data standard for lighting, allowing the DMX systems of the device to be managed, modified, and monitored remotely (hence, remote device management). This protocol is ideal for fixtures installed in locations that are not easily accessible.

With RDM, the DMX512 system becomes bi-directional, allowing a compatible RDM enabled controller to send out a signal to devices on the wire, as well as allowing the fixture to respond (known as a GET command). The controller can then use it's SET command to modify settings that would typically have to be changed or viewed directly via the unit's display screen, including the DMX Address, DMX Channel Mode, and Temperature Sensors.

FIXTURE RDM INFORMATION:

RDM Code	Device ID	Device Model ID	Personality ID
22A6	002C	44	001 01CH DIMMER 002 04CH DIMMER COLOR 003 07CH DIMMER COLOR FX 004 06CH RGBWLC 005 12CH RGBWLC 16BIT 006 24CH RGB CELLS 007 48CH RGBWLC CELLS 008 96CH RGBWLC CELLS 16BIT 009 14CH STANDARD 010 23CH EXTENDED 011 58CH EXTENDED CELLS 012 04CH HSI 013 12CH HSI EXTENDED

Please be aware that not all RDM devices support all RDM features, and therefore it is important to check beforehand to ensure that the equipment that you are considering includes all of the features that you require.

The following parameters are accessible in RDM on this device:

ELATION KL PANEL XL IP RDM PARAMETERS
PROXIED_DEVICE_COUNT SENSOR_DEFINITION, SENSOR_VALUE, DEVICE_MODEL_DESCRIPTION, MANUFACTURER_LABEL, DEVICE_LABEL, DMX_PERSONALITY, DMX_PERSONALITY_DESCRIPTION, DEVICE_HOURS, COMMS_STATUS, STATUS_ID_DESCRIPTION, CLEAR_STATUS_ID, LAMP_HOURS, LAMP_STRIKES, LAMP_STATE, LAMP_ON_MODE, DEVICE_POWER_CYCLES, PAN_INVERT, TILT_INVERT, PAN_TILT_SWAP, DISPLAY_INVERT, DISPLAY_LEVEL, REAL_TIME_CLOCK, POWER_STATE, PRESET_PLAYBACK, DEFAULT_SLOT_VALUE, LANGUAGE, LANGUAGE_CAPABILITIES, BOOT_SOFTWARE_VERSION_LABEL, BOOT_SOFTWARE_VERSION_ID, PRODUCT_DETAIL_ID_LIST STATUS_MESSAGES

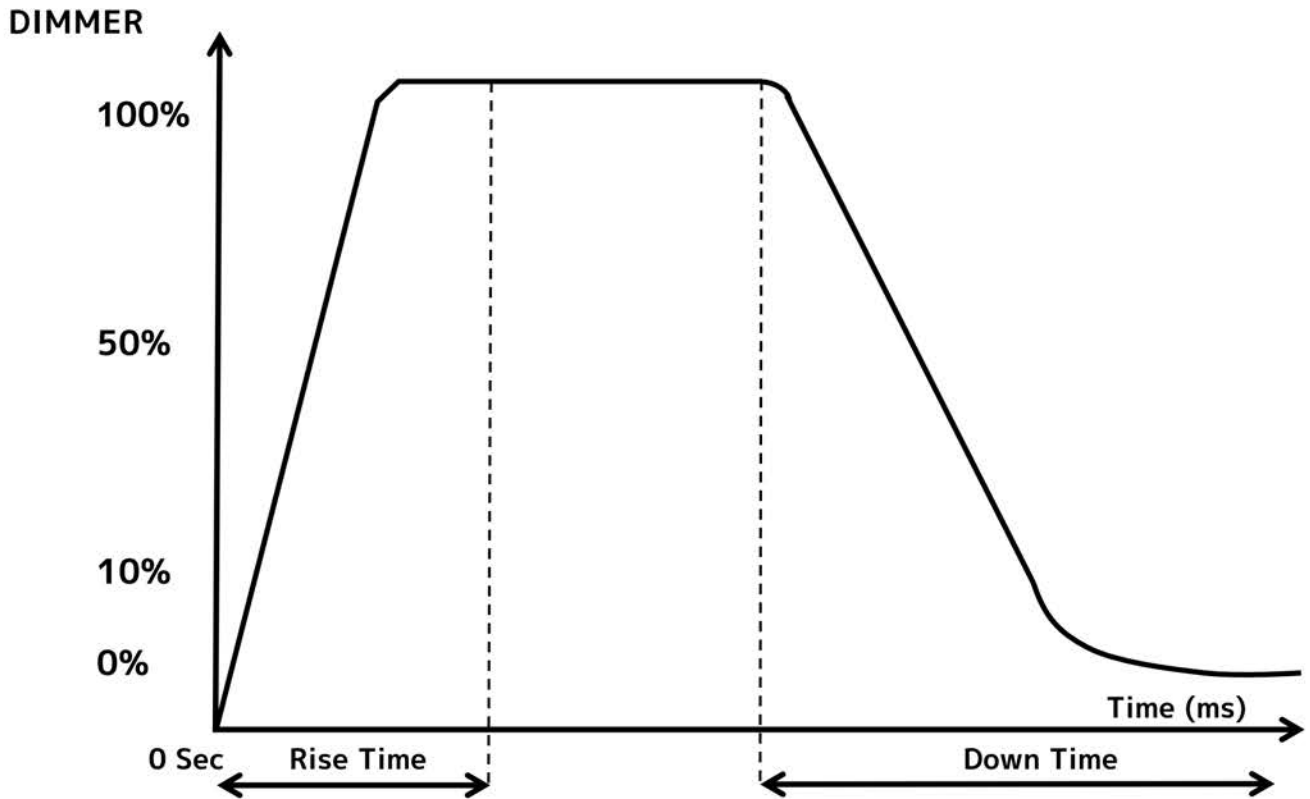
ERROR CODES

Error Codes subject to change without notice	
ERROR CODES	DESCRIPTION
Temp Er	Displays if fixture overheats.

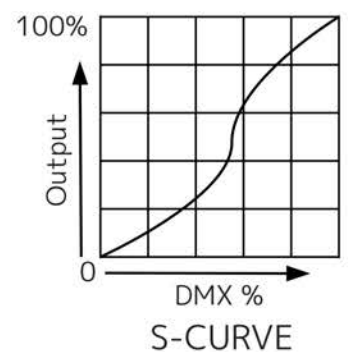
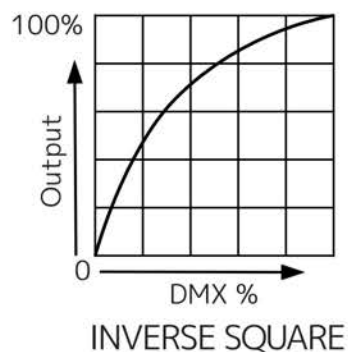
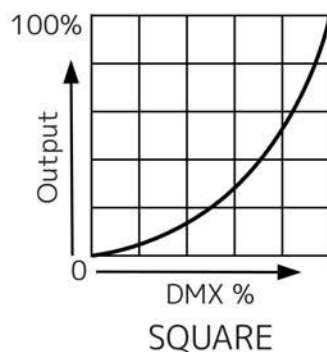
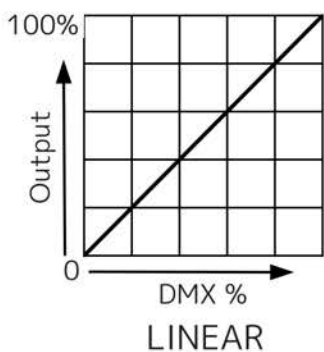
REFRESH RATE

DMX Values	Refresh Rate (Hz)	DMX Values	Refresh Rate (Hz)
100	900	135	1250
101	910	136	1260
102	920	137	1270
103	930	138	1280
104	940	139	1290
105	950	140	1300
106	960	141	1310
107	970	142	1320
108	980	143	1330
109	990	144	1340
110	1000	145	1350
111	1010	146	1360
112	1020	147	1370
113	1030	148	1380
114	1040	149	1390
115	1050	150	1400
116	1060	151	1410
117	1070	152	1420
118	1080	153	1430
119	1090	154	1440
120	1100	155	1450
121	1110	156	1460
122	1120	157	1470
123	1130	158	1480
124	1140	159	1490
125	1150	160	1500
126	1160	161	2500
127	1170	162	4000
128	1180	163	5000
129	1190	164	6000
130	1200	165	10000
131	1210	166	15000
132	1220	167	20000
133	1230	168	25000
134	1240		

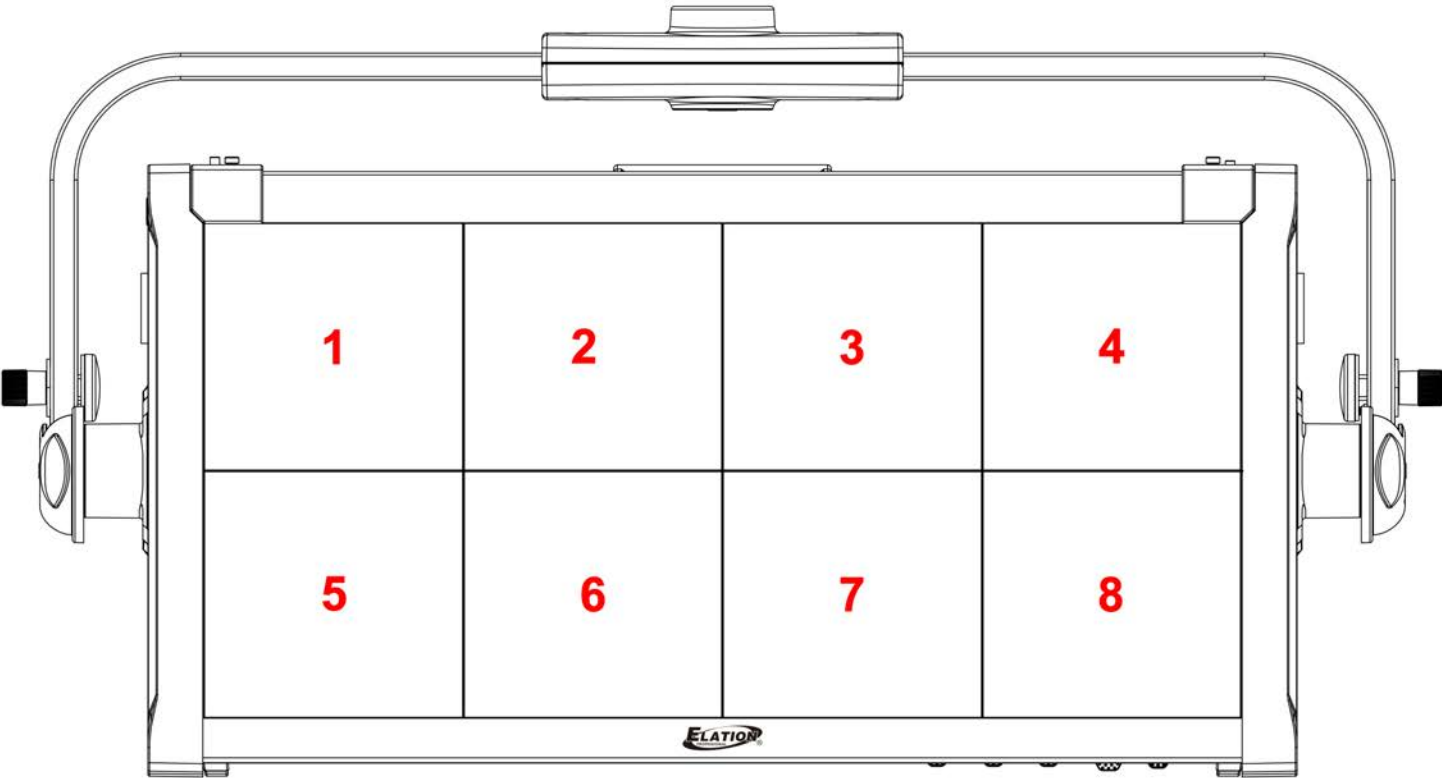
DIMMER MODES



Dimming Curve Ramp Effect	0 sec Fade Time		1 sec Fade Time	
	Rise Time (ms)	Down Time (ms)	Rise Time (ms)	Down Time (ms)
Standard (default)	0	0	0	0
Stage	780	1100	1540	1660
TV	1180	1520	1860	1940
Architectural	1380	1730	2040	2120
Theatre	1580	1940	2230	2280
Stage 2	0	1100	0	1660



PIXEL ZONES



SPECIFICATIONS

SOURCE

6-in-1 (Red, Green, Blue, White, Lime, Cyan) Full Spectrum LED Array
50,000 Hour Average LED Life*

*Test lab conditions. May vary depending on several factors including but not limited to:
Environmental Conditions, Power/Voltage, Usage Patterns (On-Off Cycling), Control, and Dimming.

PHOTOMETRIC DATA

up to 40,000 Total Lumen Output

EFFECTS

Variable CCT 2,000K - 10,000K
Green-Shift Adjustment
4x2 Section Control
Virtual Gel Library
Variable 16-bit Dimming Curve Modes
High Speed Electronic Shutter and Strobe
Remote Adjustable LED Refresh Rate Frequency
(900-25kHz)

CONTROL / CONNECTIONS

13 DMX Channel Modes (1-96 Ch.)
1 or 8 cell control sections
3 Manual Adjustment Encoders
4 Button Control Panel and OLED Menu Display
DMX, RDM, Art-NET, sACN Protocol Support
E-FLY™ Internal Extended Range Wireless DMX Transceiver
Locking 5pin XLR Connector In/Out
Locking 3pin XLR Connector In/Out
Locking IP65 Power Connector In
USB Connection (Firmware Updates, External 5V power for accessories)
4pin XLR External Battery Connection (battery not included)

SIZE / WEIGHT

Length: 6.7" (169.1mm)
Width: 32.9" (836mm)
Height: 18.4" (466.6mm)
Weight: 51.4 lbs. (23.3 kg)
Weight: (Junior Pin) 1.02 lbs. (0.46 kg)

ELECTRICAL / THERMAL

AC 100-240V - 47/63Hz
24-36 VDC (battery operation - battery not included)
Max Power Consumption 681W
14°F to 113°F (-10°C to 45°C)

APPROVALS / RATINGS

CE | cETLus | IP65

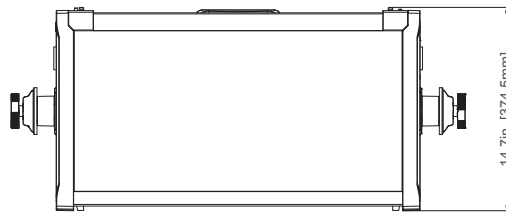
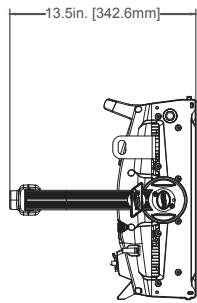
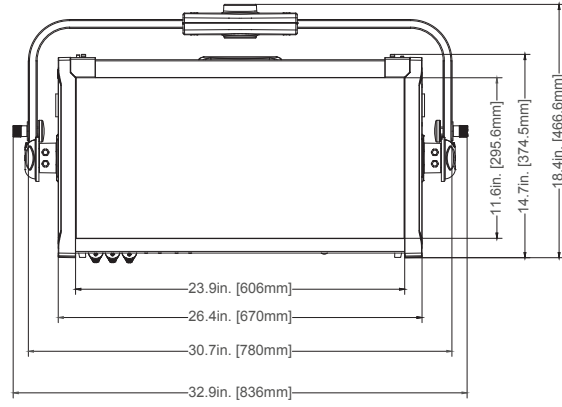
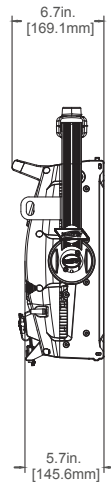


Intertek
4010765

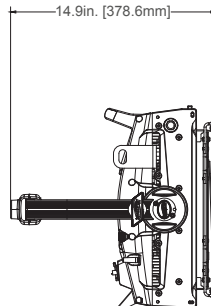
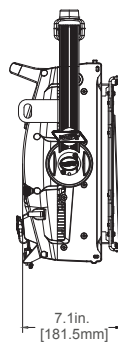
Specifications and documentation subject to change without notice.

DIMENSIONAL DRAWINGS

FIXTURE ONLY



BARNDOORS INSTALLED



OPTIONAL ACCESSORIES

ORDER CODE	ITEM
KLP115 1237000263	KL Panel XL IP (US SKU) KL Panel XL IP (EU SKU)
KLP972	KL Panel XL IP Intensifier Lens
KLP637	KL Panel XL IP Egg Crate

FCC STATEMENT

This device complies with Part 15 of the FCC Rules. Operation is subject to the following two conditions: (1) this device may not cause harmful interference, and (2) this device must accept any interference received, including interference that may cause undesired operation.

FCC RADIO FREQUENCY INTERFERENCE WARNINGS & INSTRUCTIONS

This product has been tested and found to comply with the limits as per Part 15 of the FCC Rules. These limits are designed to provide reasonable protection against harmful interference in a residential installation. This device uses and can radiate radio frequency energy and, if not installed and used in accordance with the included instructions, may cause harmful interference to radio communications. However, there is no guarantee that interference will not occur in a particular installation. If this device does cause harmful interference to radio or television reception, which can be determined by turning the device off and on, the user is encouraged to try to correct the interference by one or more of the following methods:

- Reorient or relocate the device.
- Increase the separation between the device and the receiver.
- Connect the device to an electrical outlet on a circuit different from which the radio receiver is connected.
- Consult the dealer or an experienced radio/TV technician for help.

Energy Saving Matters (EuP 2009/125/EC)

Saving electric energy is a key to help protecting the environment. Please turn off all electrical products when they are not in use. To avoid power consumption in idle mode, disconnect all electrical equipment from power when not in use. Thank you!



