

KL FRESNEL 8 FC



The **KL Fresnel 8 FC™** is a full-color-spectrum LED fixture that provides high output, precise color temperature control, full spectrum color rendering and even wash coverage. Optimized for the tunable white light requirements of Film and Television, it is an ideal key and fill light source for many situations requiring outstanding performance and color quality, while offering a wide array of rich saturated colors and subtle pastels. The KL Fresnel 8 FC incorporates a highly efficient 5-in-1 (RGBMA) LED engine that produces up to 18,000 field lumens with a motorized Zoom range of 10° to 50°. Outstanding color rendering quality, precise CCT presets and remotely adjustable LED refresh frequency makes this unit the perfect choice for today's fast paced production environments. Rugged and portable, the fixture can be mounted on a stand or suspended using any standard clamp or the included Junior pin adapter. It is fully self-contained without the need for an external power supply and offers locking power pass through for easy linking of multiple units. The KL Fresnel 8 FC can be operated through industry standard DMX protocols and has full RDM support. In addition, it offers manual access using the included encoders and display, providing instant control of Zoom, Intensity, Color temperature, Green shift and other important settings. The display and encoders are conveniently positioned at the bottom side of the fixture to ensure unobstructed access while mounted on a stand.

FEATURES

- RGBMA LED Engine
- Dynamic White + Full Spectrum Color Control
- 18,000 Total Fixture Lumen Output
- 10° to 50° Wide Motorized Zoom
- Stand-Alone control with 2 Encoders and LED Display
- Smooth 16-bit Selectable Dimming Modes and Curves
- LED Refresh Rate Adjustment
- Flicker Free Operation for TV and FILM
- RDM (Remote Device Management)
- 8-leaf Barn Doors, Gel Frame and Junior Pin (1 1/8" - 28mm) included



Specifications subject to change without notice ©Elation Professional 02/15/2022

Elation Professional USA | 6122 S. Eastern Ave. | Los Angeles, CA. 90040
323-582-3322 | 323-832-9142 fax | www.elationlighting.com | info@elationlighting.com

Elation Professional B.V. | Junostraat 2 | 6468 EW Kerkrade, The Netherlands
+31 45 546 85 66 | +31 45 546 85 96 fax | www.elationlighting.eu | info@elationlighting.eu

PRODUCT SPECIFICATIONS

SOURCE

6500K RGBMA LED Engine
50,000 Hour Average LED Life*

*May vary depending on several factors including but not limited to:
Environmental Conditions, Power/Voltage, Usage Patterns (On-Off Cycling),
Control and Dimming.

PHOTOMETRIC DATA

18,000 Total Lumen Output
CRI 94.5
TLCI 94
Zoom Range 10° - 50°
Beam Angle 10.4° - 50.8°
Field Angle 20.6° - 66.1°

EFFECTS

Motorized Zoom
Electronic Dimmer and Strobe
Variable 16-bit Dimming Modes and Curves

COLOR

RGBMA Color Array
CMY Emulation
Variable CCT 2,400K - 8,500K
Green/Magenta Shift
Virtual Gel Swatch Book

CONTROL / CONNECTIONS

6 DMX Channel Modes (1 to 18 channels)
Manual and DMX Controlled Dimmer, Color and Zoom
Dual Rotary Dials
4 Button Control Panel, LED Display
RDM (Remote Device Management)
3/5pin DMX and IP65 Locking Power In/Out
Connection

SIZE / WEIGHT

Length: 15.1" (382.5mm)
Width: 12.9" (326.5mm)
Vertical Height: 17.9" (455mm)
Weight: 23.15 lbs. (10.5kg)

ELECTRICAL / THERMAL

AC 100-240V - 50/60Hz
514W Max Power Consumption
5°F to 113°F (-15°C to 45°C)

INCLUDED ITEMS

Gel Frame and Rotating 8-leaf Barn Doors
Junior Pin (1 1/8" - 28mm)
IP65 Locking Power Cable

APPROVALS / RATINGS

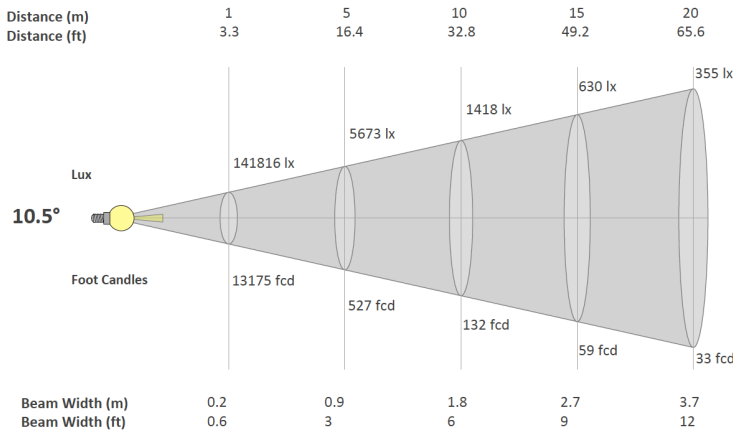
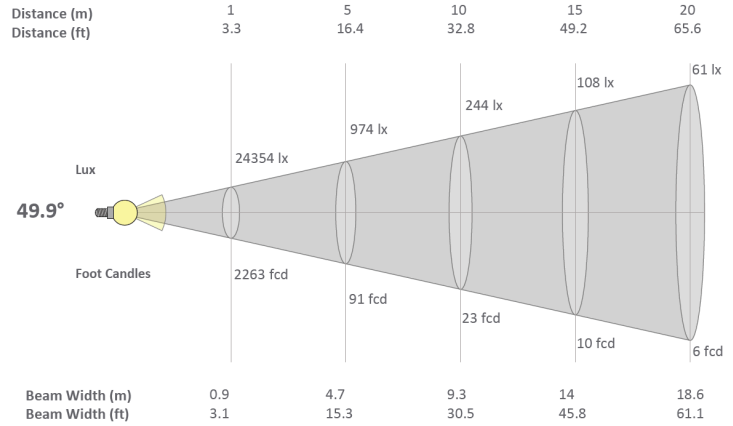
CE | cETLus | IP20

Specifications and documentation subject to change without notice.

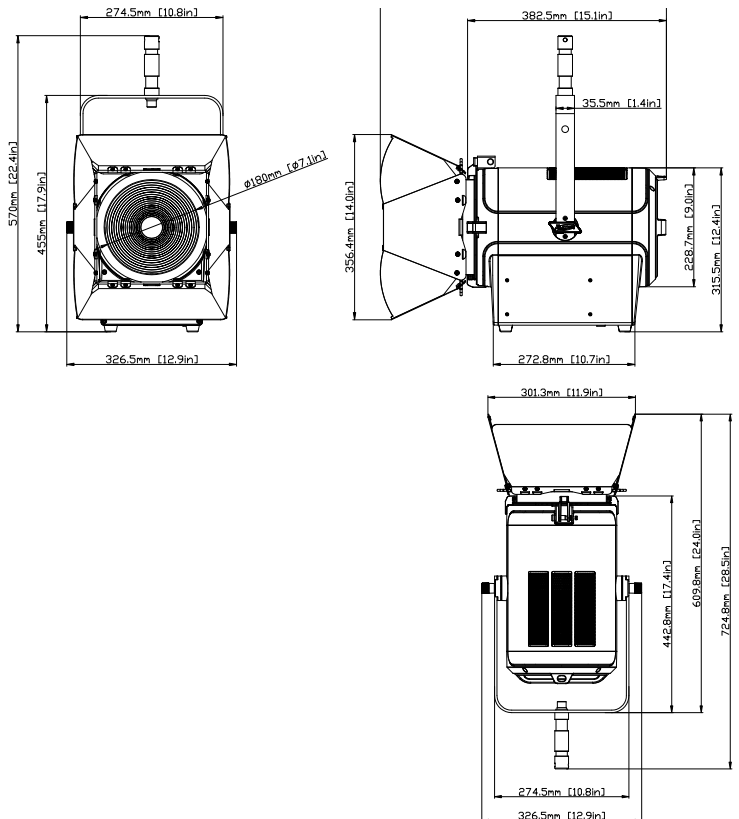
ORDERING INFORMATION

KLF832	KL Fresnel 8 FC (US SKU)
1236100183	KL Fresnel 8 FC (EU SKU)
KLF135	KL Fresnel Universal Snapbag

PHOTOMETRIC DATA



DIMENSIONAL DRAWINGS



*DRAWINGS NOT TO SCALE

