



CUEPIX BLINDER WW2™

SKU# CUE265

The new CUEPIX Blinder WW2™ features (2) long life 100W Warm White 3,200K COB LEDs, a 60° beam angle, RDM (Remote Device Management), individual control of each COB module including manual pan focus, variable and selectable dimming curves, strobe effects, flicker free operation for TV and Film, 3pin and 5pin DMX and Locking Power Cable in/out connections, LCD menu display with 4 button control panel, integrated rigging bracket, and a multi-voltage universal auto switching power supply (100-250v).

FEATURES

2 x 100W Warm White 3,200K COB LEDs

100,000 Hour Rated Life LEDs

60° Beam Angle - 80° Field Angle

RDM (Remote Device Management)

Individual COB Module Control Including Pan Focus

Variable Dimming Curve Modes

Strobe Effect

Flicker Free Operation for TV and FILM



PRODUCT SPECIFICATIONS

FEATURES

High Power Long Life Warm White COB LEDs
 60° Beam Angle - 80° Field Angle
 Individual Control of Each COB Module
 5 Variable Dimming Curve Modes
 RDM (Remote Device Management)
 Flicker FREE Operation for TV and FILM

SOURCE

(2) 100W Warm White 3,200K COB LEDs
 100,000 Hour Average Life

PHOTOMETRIC DATA

5,900 LUX 548 FC @3.3' (1m) (60°Full ON)
 1,370 LUX 127 FC @6.6' (2m) (60°Full ON)
 635 LUX 59 FC @9.8' (3m) (60°Full ON)
 396 LUX 37 FC @13.1' (4m) (60°Full ON)
 264 LUX 25 FC @16.4' (5m) (60°Full ON)

EFFECTS

Strobe
 Variable Dimming Curves

CONTROL / CONNECTIONS

4 DMX Channel Modes (1 / 2 / 3 / 4)
 4 Button Control Panel and LCD Menu Display
 3pin and 5pin DMX In/Out
 RDM (Remote Device Management)
 Locking Power Cable In/Out

SIZE / WEIGHT

Length: 18.8" (478 mm)
 Width: 7.1" (181.2 mm)
 Horizontal Height: 10.2" (259.4 mm)
 Weight: 11.2 lbs. (5.1 kg)

ELECTRICAL / THERMAL

AC 100-240V - 50/60Hz
 229W Max Power Consumption
 Power Linking: 5pcs @110V / 11pcs @220V
 14°F to 113°F (-10°C to 45°C)

APPROVALS / RATINGS

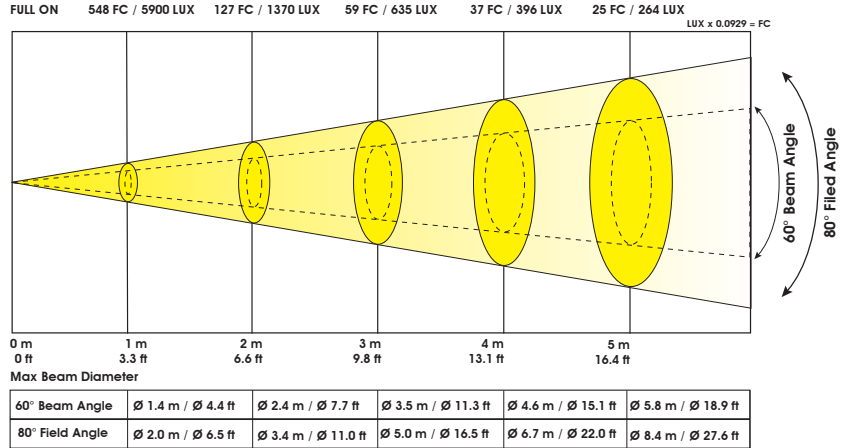
CE | IP20

INCLUDED ACCESSORIES

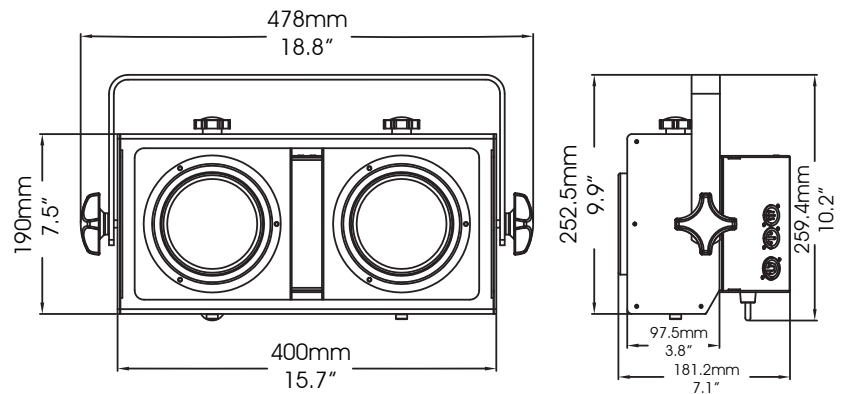
(1) Locking Power Cable



PHOTOMETRIC DATA



DIMENSIONAL DIAGRAM



OPTIONAL ACCESSORIES

ORDER CODE	ITEM
TRIGGER CLAMP	Heavy Duty Wrap Around Hook Style Clamp
EWDMSYSTEM	Wireless DMX System (1 Transmitter, 1 Receiver)
EWDMMXT	Wireless DMX Transmitter
EWDMMXR	Wireless DMX Receiver
PLC3	3' (1m) Locking PRO Link Cable
PLC6	6' (1.8m) Locking PRO Link Cable
AC3PDMX5PRO	5 ft. (1.5m) 3pin PRO DMX Cable
AC5PDMX5PRO	5 ft. (1.5m) 5pin PRO DMX Cable
	Additional Cable Lengths Available