

LEKO LED PROFILE, FC

Date: _____
Type: _____
Firm: _____
Name: _____
Project: _____

Strand Leko® LED Profile- the modern successor to the iconic Strand Leko that inspired generations of designers, this profile fixture is available in full color which uses a Red, Green, Blue, Amber, Lime & Cyan color mixing system for the mixable color spectrum. To compliment the Full Color version two white output versions, a warm tunable white (2700 K to 4500 K), and cold tunable white (4000 K to 7000 K) varieties, both of which offer a consistent CRI exceeding >94 CRI across all color temperatures. The entire Leko family offer, far more than just in innovated color control, each of the fixtures utilizes new fan control technically and functions ensures these new high powered LED fixtures are suitable for use in the quietest of applications. To simplify installations, the Leko LED uses the SPX Smart Gate found on legacy SPX and PL4 fixtures and is compatible with existing SPX lenses, optional universal lens tube are also available for use with legacy Strand LEKO lens tube and other common lens systems.



- High output midsize LED theatrical luminaires - modern fixtures with quality you can trust.
- High CRI RGBALC Color System with SmartColor Control - wide range of vivid color options that can be programmed using CYM.
- Tunable white with >94 CRI - adjust color temperature without compromising output or quality of light.
- Independent color mixing and temperature controls - match color palette to color temperature without manual adjustment for simpler programming.
- Quiet operation with variable fan control - perfect for use in quiet environments.
- Adjustable frequency to exceed camera frame rates - camera-friendly fixtures for IMAG, event recordings, or TV and film applications.

For detailed product information, please refer to www.strandlighting.com/global/products/leko-led-profile



Specifications

Due to continuous improvements and innovations, specifications may change without notice.

Source

LED	Multichromatic Light Engine - RGBALC
Source Max Power Consumption	91 x 3 W
LED Refresh Rate	12 Hz to 25kHz
Dimming	Electronic 16-bit
Dimmer Curves	Square Law (Default), Linear, S-Curve

Optical Performance

Output Lumens	Standard - 8000
CRI RA	> 92
CRI R9	96.2
Tm30	Rf 82 / Rg 116
TLCI	70
DUV (Delta UV)	0.00111

Color System

Color Mixing	RGBALC
Color Mixing Control	Smart Color, Open Source or Quick Color
Color Calibration	Selectable On/Off
Color Mixing Control Option	Color Snap On/Off <small>On reduces auto smoothing color to create faster color changes</small>
Variable CTO	2700 K to 10000 K (Smart Color Mode)
Color Presets	32 Calibrated Colors
User Definable Color Presets	20
Chromatic Aberration	Magenta / Green shift control <small>(Smart Color Mode)</small>

Imaging

Shutter	4 Blade - 360° Continuous Rotation
---------	------------------------------------

Electrical

Output Power Consumption	250 W @ 120 V, 247 W @ 240 V
Power Connection	TrueOne Compatible - In / Thru <small>Power cable not included - input connector only</small>
Input Voltage	100-240 VAC, 50 / 60 Hz

Data

Supported Protocols	DMX512-A (RDM) 5 - Pin XLR Input and Thru
DMX Modes	
Smart Color Control (default)	14 Channels
Q Color Mode	4 Channels
Open Color Control	19 Channels

Noise Level / Fan Control (Base Level 30 dB @ 1 m (3.3 ft))

Standard Mode	43 dB
Studio Mode	40 dB
Whisper Mode	30 dB
Fan Mode	Continuous (On) / Auto Ramping
Fan Level Preset	Standard, Studio, Whisper
Cooling System Type	Forced Air Cooling
Advance Fan/Noise Control	SmartFan Control <small>User Definable Variable Speed Fan Control by DMX</small>

Mounting

Yoke	Double clutch locking yoke >270° Swivel Yoke M12 (1/2") Centre hole
------	--

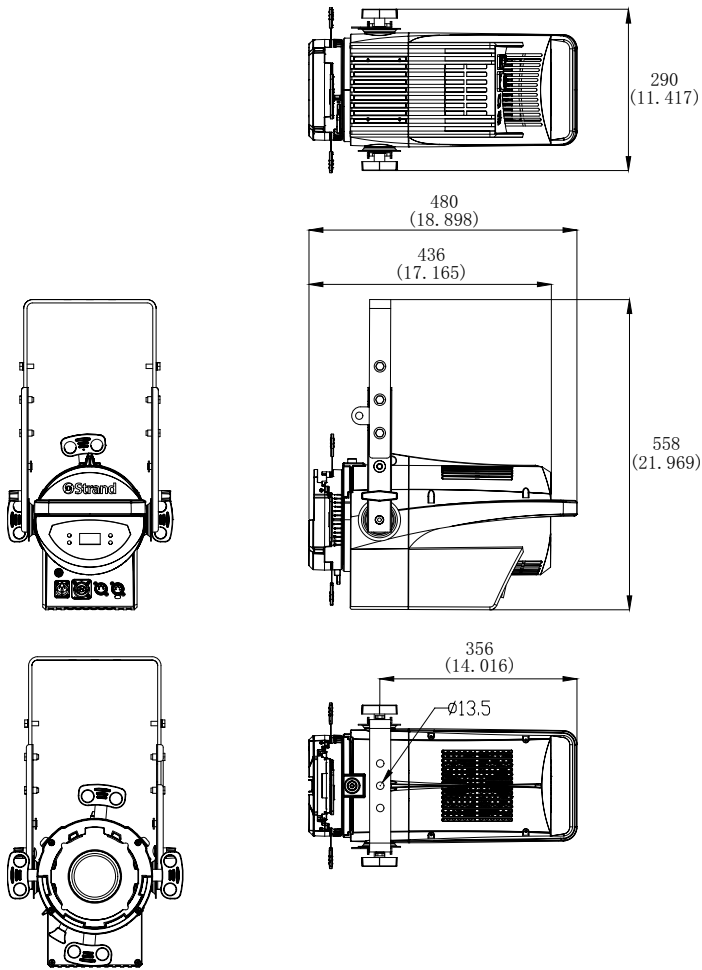
Certification and Safety

Approbations	CE, ETL, UL, FCC CSA, RoHS, ISO 9001
IP Rating	IP20

Photometrics and IES Files

For IES files and photometric reports, please refer to the product page: www.strandlighting.com/global/products/leko-led-profile

Dimensions



Physical

Construction	Cast aluminium
Standard Finish	Black, White
Dimensions	558 x 290 x 480 mm (22.0 x 11.4 x 18.9 in)
Packed Dimensions	380 x 335 x 623 mm (15.0 x 14.0 x 25.0 in)
Fixture Weight	9.3 kg (20.5 lb)
Operating Temperature	0-45°C (32-113°F)

Gobos

Gobo Gate	B size (holder optional accessory)
-----------	------------------------------------

Luminaire and Accessories

Product type	Order Code
LEKO LED PROFILE, Full Color, Black	64505-003
LEKO LED TWW, 270w 2700 to 4500k Bichromatic Light Engine, c/w Power input connector, Black	
LEKO LED PROFILE, Full Color , White	64505-101
LEKO LED TCW, 270w 2700 to 4500k Bichromatic Light Engine, c/w Power input connector, White	
Accessories	
Manual Iris (fits Leko LED gate)	2180
Strand Fixture Accessory 18 Leaf iris (Fits in IRIS slot only), for use with SPX, PL4, SPX LED, and LEKO LED Light sources	
B sized metal gobo holder	2160
Strand Fixture Accessory ,Gobo Holder B size metal gobo holder (Fits in gobo slot only), for use with SPX, PL4, SPX LED, and LEKO LED Light sources	
B sized glass gobo holder goes in iris slot	2178
Strand Fixture Accessory Gobo Holder B size glass gobo holder (Fits in IRIS slot only), for use with SPX, PL4, SPX LED, and LEKO LED Light sources	

