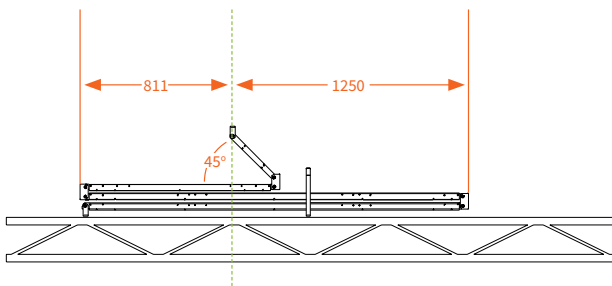
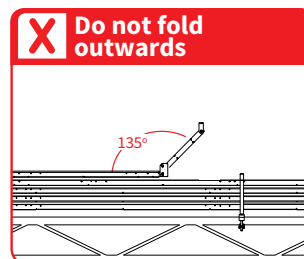
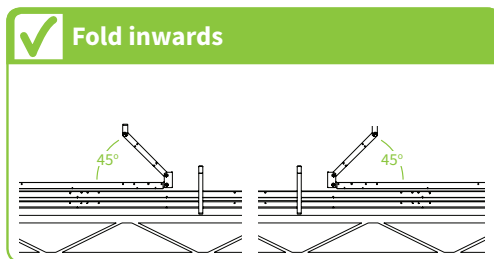
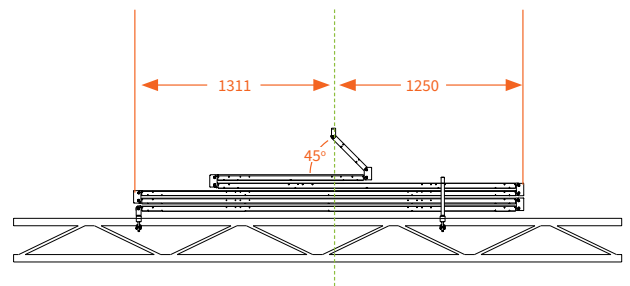


determine mounting point

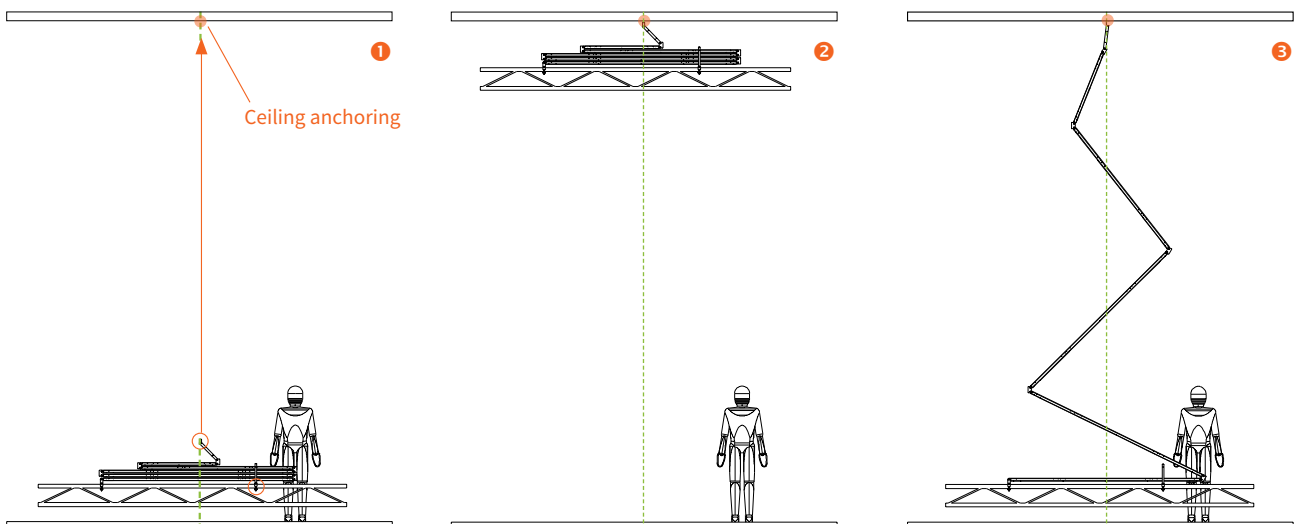
Cable guide compact base 2 mtr



Cable guide compact base 2,5 mtr



assembly



Periodical check:

Periodical checks should be done at least every 6 months or after 200 hoisting / lowering movements of the system.

Hinges: Check whether all hinge bolts are still in their correct position. **Make sure** that at least 3 – 4 mm thread length sticks out of the nuts. When you find a nut with a thread length shorter than 3 – 2 mm, tighten this nut and immediately inform the supplier.

Make sure that you **NEVER tighten the bolt-nut too much**. The bolt-nut should always be able to rotate freely. Check whether the bolt-nut can be rotated easily with a key.

Cables: Check the cables for wear. Check whether they do not show any strange forms at their surface which might indicate internal distortion or something comparable.

Situations that require immediate intervention by the supplier:

- Deformation / distortion of one or more of the metal parts of the cable guide.
- Loose nuts.
- Cables that tighten during use.
- Grit of cables and/or metal parts in/on the construction.

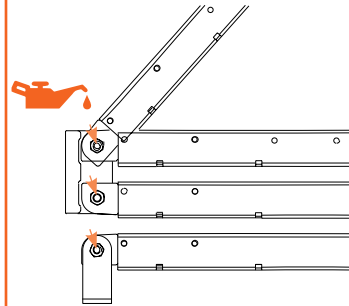
Situations that require the immediate “shut-down” of the system:

- The missing of one or more nuts and/or bolts of the system.
- A distinct presence of wear grit around or close to one of the hinges.
- Worn cables.
- Strong deformation/distortion of one of the metal parts.

Annual Maintenance:

Maintenance should be done once a year. Maintenance consists of the necessary periodical checks and the lubrication of the system

- 1: See all points under “periodical checks”.**
- 2: Lubrication**



The hinges are moving metal parts with a small space in between. These may be blown clean during the periodical maintenance. It is also recommended to spray a lubricating substance like oil, silicon spray or graphite

Please inform your supplier immediately about any defects in the cable guide system.

! Maintenance and periodical checks may only be carried out by competent personnel.