



ADMIRAL
STAGING

LOW HANGER TUBE

Our versatile Low hanger tubes are the perfect tool for rigging your equipment, from lighting fixtures and video projectors to sound equipment and more. Choose from four available lengths (50, 100, 150, and 200 cm) to create your ideal setup.



KEY FEATURES

Sleek design

The tubes feature a clean and simple design, blending seamlessly into any setup.

Easy setup

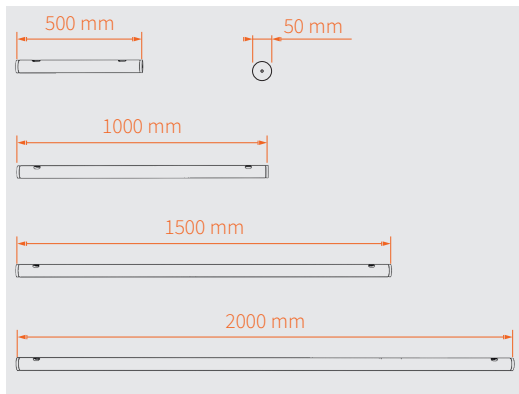
Equipped with an M10 bolt fitting, the Low hanger can be quickly connected to your equipment, clamps or couplers.

Gaps for safety cable

With two openings at both ends, you can easily secure both the tubes and your gear with safety cables.

www.admiralstaging.com

DIMENSIONS



TECHNICAL DATA

Low Hanger Tube

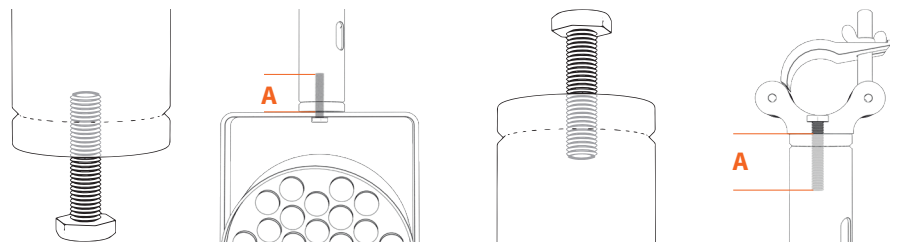
Lenghts available	50 cm	100 cm	150 cm	200 cm
Article code:	RILHT50B	RILHT55B	RILHT60B	RILHT65B
EAN code:	8720094420028	8720094420035	8720094420042	8720094420158
ELL:	200 kg			
Safety factor against failure:	8:1			
Material:	aluminium			
Dimensions:	500 x ø 50 mm	1000 x ø 50 mm	1500 x ø 50 mm	2000 x ø 50 mm
Weight:	0.7 kg	1.1 kg	1.5 kg	1.9 kg
Colour:	anodised black			

Note

Use a M10 bolt (8.8 quality) for assembling the Low hanger tube on a structure or coupler. The length depends on the device (fixture, truss or pipe). Make sure the bolt is screwed at least 40 mm (A) into the Low hanger tube. The torque setting is approximately 15 Nm.

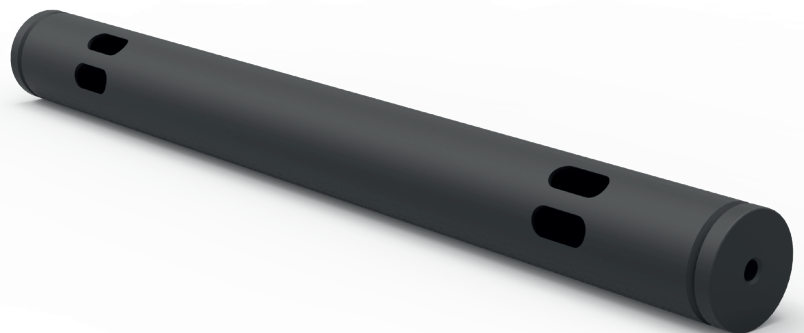
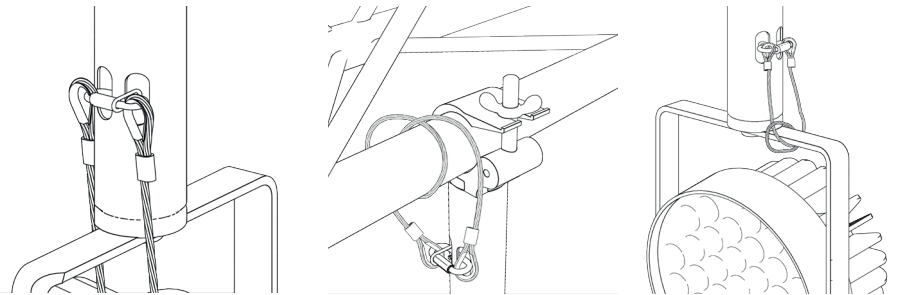
M10 bolt on the bottom side

M10 bolt on the top side



Note

Use an additional certified, secondary safety cable to both secure the Low hanger tube to the supporting structure and the load coupled to the Low hanger tube.



ADMIRAL
STAGING

| www.admiralstaging.com | Josink Kolkweg 10 | 7545 PR Enschede | The Netherlands | Tel: +31 53 4 301 201 |