



portman®
lights



MANTIS

by Portman Lights

User manual

 portmanlights.com

 [/PortmanLights](https://www.facebook.com/PortmanLights)

 [@PortmanLights](https://www.instagram.com/PortmanLights)

Welcome!

Dear User,

Thank you for choosing our MANTIS. We are proud of delivering you the highest quality, the greatest design and the real passion with our product. Each fixture in Portman portfolio is different, but all of them ensure you the best performance and support your creativity.

If you have any questions, suggestions or require additional information contact us at: support@portmanlights.com

**FOR YOUR OWN SAFETY, PLEASE READ THIS USER MANUAL
CAREFULLY BEFORE YOUR INITIAL START-UP!**

© 2016-2021 Portman Lights Sp. z o. o. All rights reserved.

The information and specifications are subject to change without notice. Portman Lights Sp. z o. o. disclaims liability for any injury, damage, direct or indirect loss, consequential or economic loss or any other loss occasioned by the use of, inability to use or reliance on the information contained in this user manual.

Table of contents

Welcome!	2
Table of contents	3
Safety information	4
Technical specification	6
Fixture Overview	7
Preparation for use	9
Installation	10
Operation modes	11
Menu	13
Menu map	16
DMX Chart	19
I. Mode Simple	19
II. Mode Simple Fine	20
III. Mode Standard	21
IV. Mode Standard Fine	22
V. Mode Pixel	23
VI. Mode Pixel Fine	24

Safety information

WARNING This product is for professional use only! It is not for household use.

Mantis presents risk of lethal or severe injury due to heat, electric shock, fire or falls. Intense and flashing light could trigger epileptic seizures. Read this manual before your initial start-up and follow the safety information in this manual and engraved on the fixture.

Every person involved in the installation, service and maintenance of this device must be qualified and have experience in working with stage lighting fixtures.

Before your initial start-up, please make sure that there is no damage caused by transportation. Should there be any, consult your dealer and do not use the device.

Please consider that damages caused by manual modifications to the device are not subject to warranty.



CAUTION! Keep this device away from rain and moisture!



CAUTION! Be careful with your operations! With a dangerous voltage you can suffer an electrical shock when touching the fixture and wires!



CAUTION! When in operation the fixture's surface becomes hot. Allow the device to cool down approximately 30 minutes prior to any maintenance or service. Keep a minimum 0,2 meter distance from flammable materials to the fixture.



CAUTION! Avoid looking directly into the light source (meant especially for epileptics)!



CAUTION! Unplug mains lead before opening the housing.

Protection against electrical shock

- Disconnect the fixture from AC power when not in use.
- Disconnect the fixture from AC power before any maintenance or service.
- Do not remove the rear cover. There are no user-serviceable parts inside.
- Always ground the fixture electrically.
- Use only the wires attached to the kit. If the power cable shows any sign of damage do not use it!
- Use only a source of AC power that complies with local building and electrical codes and has both overload and ground-fault protection.
- Do not expose the fixture to rain or moisture..

Protection against burns and fire

- Never operate when the fixture is damaged or some part is missing.
- Do not touch surface when the fixture is in operation. The exterior of the fixture can reach temperatures up to 70°C (158°F). Allow the fixture to cool approximately 30 minutes before any maintenance or service.
- Keep all combustible and flammable materials (for example fabric, wood, paper) at a distance of at least 20 centimeter away from the fixture. Do not cover the fixture when in operation and when it is hot.
- Do not modify the fixture.
- Do not operate the fixture if the ambient air temperature exceeds 45°C (113°F).
- Do not operate the fixture after extreme change of surrounding environment temperature. Allow the fixture to acclimate for at least an hour before operating.

Protection against falls

- Use only professional tripods and clamps to mount the fixture. Ensure, that the clamp or tripod is designed to withstand the weight of the fixture.
- Ensure that the structure intended for installation can hold at least 10 times the weight of all installed devices.
- Ensure that all fixtures are attached correctly to the structure and use an approved means of secondary attachment such as a safety cable.
- Block access below the work area whenever installing or removing the fixture.

Protection against eyesight damage and epileptic seizure

- Do not stare directly into the light sources. Never look at an exposed lamp while it is lit.
- Provide advance notice that flash light is in use.
- Avoid long cycles of rapid flashing light.
- Always use safety glasses to protect your eyes when opening front cover.

Technical specification

dimensions 560 x 645 x 190mm
 weight 6,9 kg

input voltage 100 - 240V 50Hz/60Hz
 power consumption 240W

light source	Portman HaloLED	Portman GLOW	Center source
power	3 x 60W	3 x 12W	18W
luminous flux	TBA	TBA	TBA
color temperature	1600K – 3200K	R G B + White	6000K
CRI		>90	
beam angle		94°	

DMX channels 21, 29, 29, 45, 28, 43
 DMX modes 6

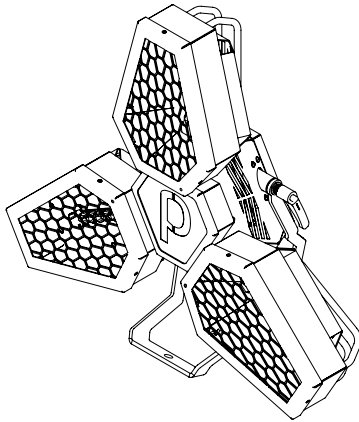
connectors 2 x 5pin DMX
 1 x AC Neutrik powerCON TRUE1 (inlet and outlet)
 1 x SMA (WDMX antenna)

other features built-in drivers
 Portman Color Feedback System
 built-in macros
 WDMX module optional

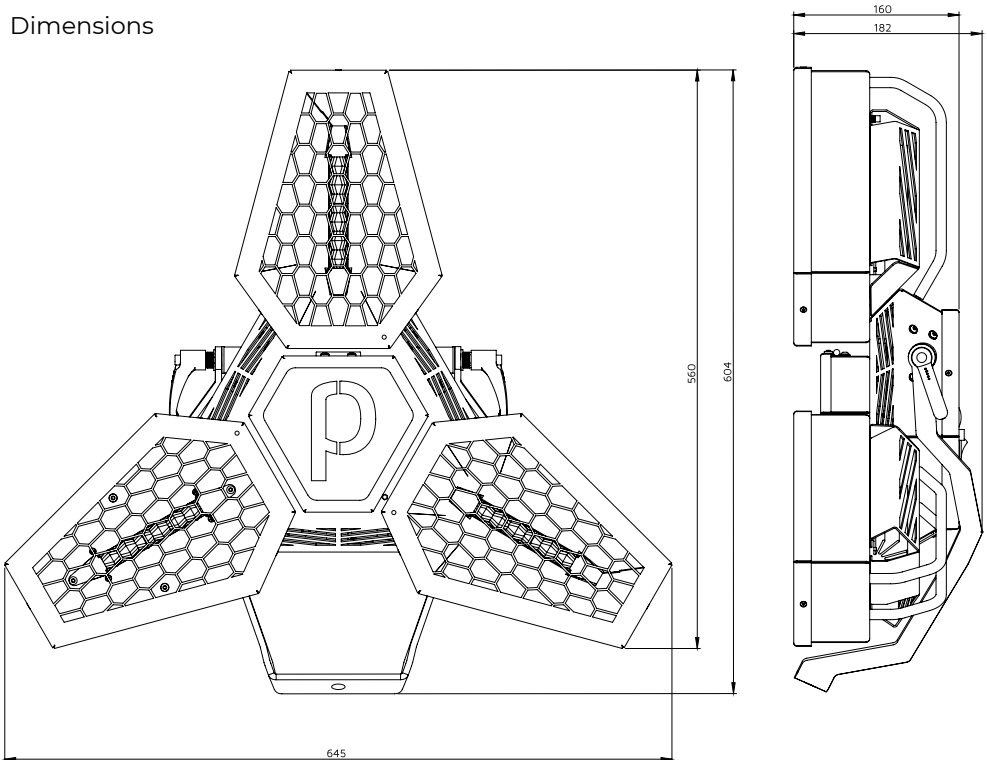


IP 20

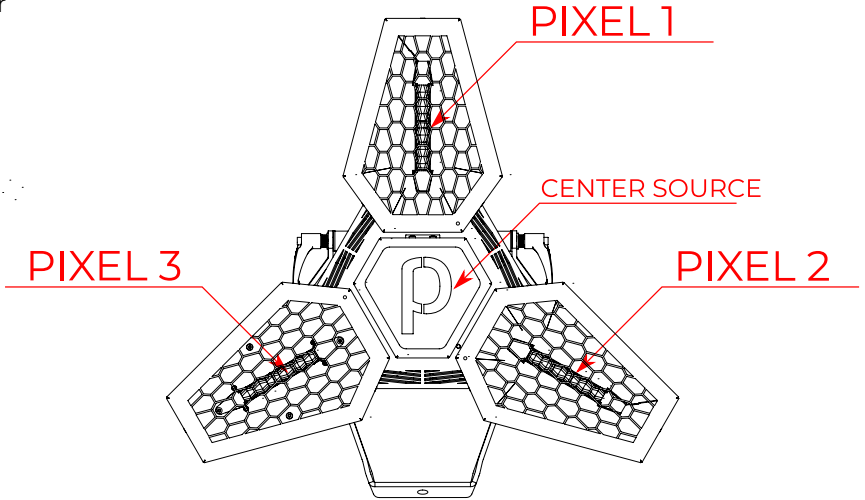
Fixture Overview



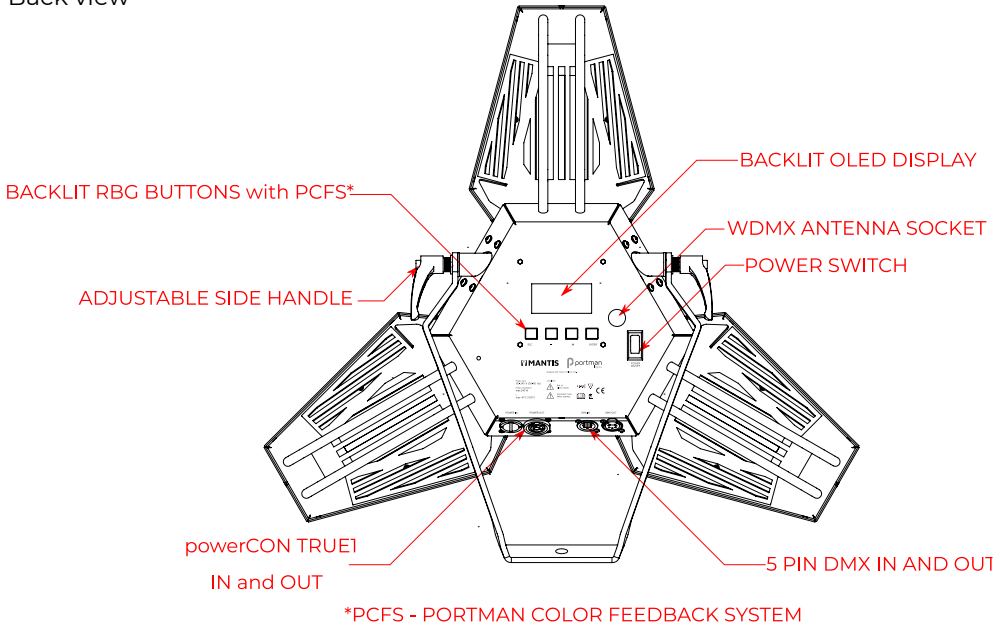
Dimensions



Pixels order



Back view



Kit content

- 1 x Portman Mantis
- 1 x AC power wire (powerCON TRUE1)
- 1 x User manual

Preparation for use

AC power connection

The Portman Lights Mantis must be installed at 100-240V and 50/60Hz. Fixture automatically detects the alternating current frequency. To turn on the fixture simply plug in the powerCON TRUE1 and set the power switch to “ON”. Use only high quality 3 x 2.5 mm² or larger mains power cords. Inspect all the power feed cables for damages before use. Make sure to always connect the fixtures to a protected circuit with appropriate electrical ground. Do never connect the fixture to a dimmer plug, even if it supplies proper current.

Only qualified electricians in accordance with all known electrical regulations can install the fixtures.

The Mantis comes with power input cord terminated with powerCON TRUE1 on one end and tube connectors on the other end. Follow the rules from table below to assemble power plug to the wire:

Connection		EU wires	US wires
Live	L	Brown	Black
Neutral	N	Blue	White
Earth	⊕	Green/Yellow	Green or Green/Yellow



CAUTION! Do not use the power cord without a plug attached!



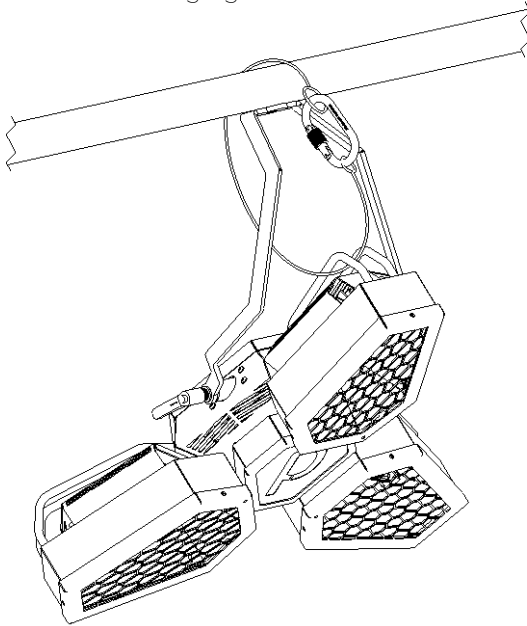
CAUTION! Always double check the wire with plug attached before use!

REMEMBER! Only qualified person can change or install the plug!

Installation

Before mounting the fixture read and follow the safety recommendations indicated in the Safety Information.

The Portman Mantis may be installed on a tripod or on a clamp. The fixture has 13 mm (0,512 in) hole for a spigot, rigging clamp or a screw. Before rigging operations make sure, that the structure onto which you are mounting the fixtures can withstand the weight of all of the fixtures. Check if there is enough room for ventilation, configuration and maintenance in a location where you want to place the fixture. You must secure every hanged fixture with an appropriate safety wire. Make sure there is no people under the work area when hanging fixtures .



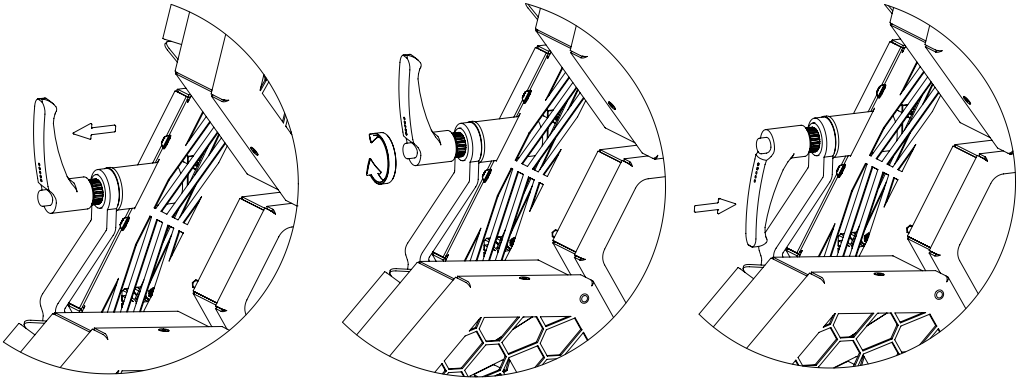
CAUTION! Incorrect installation may result in the device falling and may damage it or cause damage to other objects!

REMEMBER! Always secure hanged fixture with safety wire!

To adjust the position of the fixture when aiming it to the desired angle, use the side handles. Loosen them by turning them counterclockwise before adjustment and set the desired angle. Tighten the handles after adjusting the position by turning them

clockwise. Operate handles carefully and manually only. Tools can damage them. Always double check if the fixture's handles are tightened properly.

You can easily change the orientation of tightened handles to make your rig looks even better. Gently pull the tightened handle to disengage its teeth and rotate it into the desired orientation. By releasing the handle the return spring automatically engages the teeth again.



Operation modes

The Portman Mantis can work in three operation modes: DMX, MASTER and SLAVE. DMX mode is designed to work with DMX consoles. MASTER mode is designed to operate the fixture manually, without external controlling signal. In the MASTER mode the fixture sends controlling signal on the DMX output socket. The signal can control other units in SLAVE mode. Please consider that unit in MASTER mode connected to regular DMX chain can corrupt DMX signal quality. The SLAVE mode allows you to control the fixture with the control signal sent from a unit in MASTER mode. However the DMX signal has got the highest priority and the fixture always reacts to connected DMX signal regardless the operating mode.

Event	Operating Mode		
	DMX	Master	Slave

DMX wire connected	Reacts to DMX	Reacts to DMX	Reacts to DMX
WDMX connected	Reacts to WDMX	Stays in Master Mode	Receives control signal from Master unit
DMX disconnected	Keeps last DMX frame	Gets back to last Macro or Manual setting	Receives control signal from Master unit
After power reset	All values default	Gets back to last Macro or Manual setting	Receives control signal from Master unit

There are three ways to operate the fixture in the DMX OPERATING MODE. You can use DMX input signal, onboard manual control or WDMX input signal to control the fixture (if the WDMX card is installed). You can link the Mantis to a DMX controller using a 5 pin DMX wire, or Wireless Solution Sweden hardware (if WDMX card is installed). You can control each channel individually whether with a DMX controller or a manual control built in the fixture. The Mantis has got 6 DMX personalities and it does support RDM. In DMX mode fixture does not remember manual settings after reset.

To remember manual settings after reset you have to use MASTER mode. You can set any lighting scene using manual control section in the fixture’s menu or play build in macros. The fixture always switches to DMX when DMX wire is connected. After disconnecting DMX in MASTER mode fixture always gets back to last macro/manual setting. After power reset the unit remembers last manual/macro settings. If you are going to control the fixture by onboard manual control it is recommended to use MASTER OPERATING MODE.

RDM

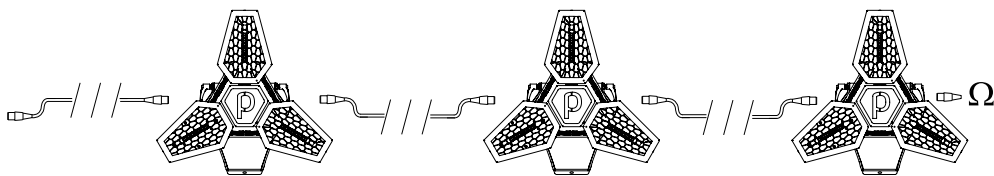
RDM (Remote Device Management) is an enhancement of DMX 512 protocol and allows the bi-directional communication between DMX consoles and fixtures. It works simultaneously with DMX 512 and on the same lines and wires. RDM is not affecting non-RDM devices in a line, however non-RDM devices can disrupt communication with console. RDM allows you to change the fixture’s options (such as DMX address) without even touching neither ladder or fixture’s buttons. Mantis fully supports the RDM standards.

Manual operation

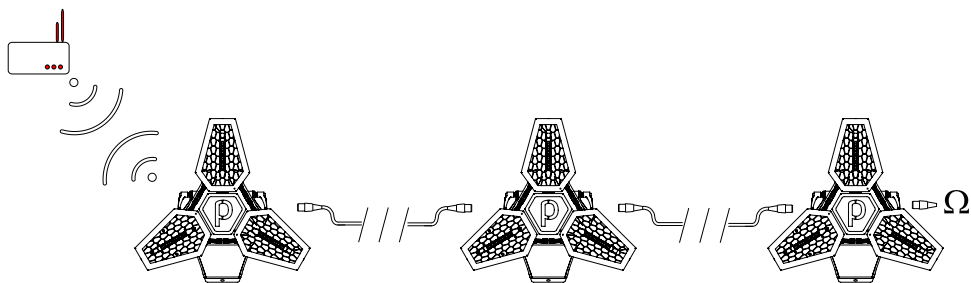
The fixture works in manual operation when it's not receiving DMX signal whether wired or wireless. You can adjust the brightness of all LED sources at once from main screen, or you can control each source individually from the "CONTROL ME MANUALLY" option in the menu (refer to the "Menu" chapter to learn how to manually control channels). To enter menu simply press "ENTER".

DMX 512 modes

The fixture automatically switches into DMX mode after receiving DMX data. To learn how to change the DMX address or signal source (wired or wireless) refer to the "Menu" chapter. When the fixture works in the wired DMX mode You can daisy chain fixtures using 5 pin DMX wires. When daisy chaining remember, that you can connect up to 32 devices per DMX 512 universe. Always terminate the DMX 512 line. Put the 120 Ω terminator into last device's DMX OUT XLR socket.

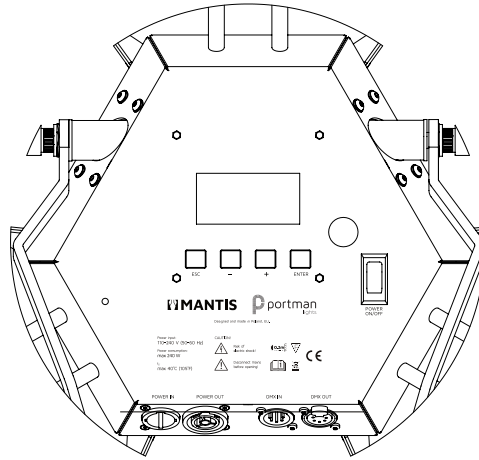


When the fixture works in the wireless mode (only when WDMX card is installed) it is receiving DMX 512 signal from Wireless Solution Sweden transmitters and can send the signal throughout the 5 pin DMX OUT XLR socket. You can put the fixture with WDMX card installed as a first fixture in a line and use it as a WDMX receiver. The Mantis supports bi - directional WDMX TRX module. It means, that the fixture supports RDM in wireless mode too. To link Mantis with W-DMX transmitter first use "UPAIR ALL WDMX DEVICES" option from menu, than turn the scanning mode on the transmitter. Transmitter will link with all unlinked devices. For more detailed information please refer to your transmitter's user manual.



Menu

Navigation buttons are located under the LCD display on the back panel. To enter the menu press “Enter” button. To navigate the menu use the “+” and “-” buttons. To exit the menu from any level press “ESC”. For confirming simply push the enter button.



Portman Color Feedback System (PCFS)

Mantis is equipped with Portman Color Feedback System. The navigation buttons under the OLED screen are highlighted with RGB LEDs. The PCFS allows you to check the fixture status without even touching the display or buttons. There are few possibilities:

Button color	Fixture state
White	Fixture receives DMX or WDMX signal
Red flashing	Fixture is in DMX operating mode, but there is no DMX nor WDMX signal detected
Green	Fixture is in MASTER operating mode and there is no DMX signal detected
Blue flashing	Fixture is in SLAVE mode and there is no DMX nor MASTER signal detected
Blue	Fixture is in SLAVE mode and there is MASTER signal detected. There is no DMX signal.

Portman Color Feedback System works also when you operate the menu. When you navigate through the menu the buttons change its colors. In the first level of the menu

the buttons are blue, second level of the menu is cyan. When you start editing a parameter in the menu the buttons turn red. Remember that any changes will not be saved until you confirm it with “ENTER” button. The changes are stored only after you see the “You made it!” screen.

Menu map

Main section	Level 1	Level 2	Level 3	Description
MY DMX ADDRESS:	DMX ADDRESS			Sets up the DMX start address
MY PERSONAL SETTINGS	DMX MODE	SIMPLE		Sets up the DMX mode. Refer to DMX chart for DMX channels order.
		SIMPLE FINE		
		STANDARD		
		STANDARD FINE		
		PIXEL		
	DMX INPUT	PIXEL FINE		Changes the DMX input to wired (default). In this mode fixture is receiving DMX signal from the DMX IN 5 pin XLR socket.
		WIRED		
	OPERATING MODE	WIRELESS		Changes the DMX input to wireless. This mode works only when WDMX card is installed. Fixture is receiving DMX data from WDMX card.
		DMX		
		MASTER		
	DIMM CURVE	SLAVE		Changes the fixture's operating mode. Refer to Operation Modes chapter for more info. DMX is default
		LINEAR		
	FLICKER MODE	LOGARYTHMIC		Changes dimming curve of filaments. Halogen mode is emulating behavior of halogen using also glow sources. Logarythmic is default.
		MODE 1 (2.4kHz)		
MODE 2 (5.1kHz)				
DISPLAY AND BUTTONS	MODE 3 (12kHz)		Changes the frequency of the LED driving signals.	
	DP BRIGHTNESS			
	DISPLAY OFF TIME			
	WELCOME SCREEN		Changes the parameters of display and buttons highlight.	

		NO DMX BTN FLASH		
	RESET ALL TO DEFAULT			Resets all the options to default values.
WANNA GO WIRELESS?	UNPAIR ALL WDMX DEVICES	UNPAIRING MODE		Unpairs all connected WDMX transmitters
	WDMX MODE	G3		Switches between WDMX modes
		G4		
		G5		
	WDMX INFO	SIGNAL STRENGTH		Shows WDMX card info.
LINK STATUS				
RDM STATUS				
DMX DATA STATUS				
INFO ABOUT MYSELF	WHO MADE ME			Shows the name of the fixture's manufacturer.
	MY NAME IS			Shows the fixture's name given by manufacturer.
	YOU CALL ME			Shows the fixture's name given by user.
	MY ID IS			Shows the fixture's RDM unique ID number.
	MY VERSION IS			Shows actual firmware version
	I WORKED HARD FOR			Shows time online
CONTROL ME MANUALLY	MAIN SOURCES	INTENSITY	0 – 100% BRIGHTNESS	Sets all main sources dimmer value
		STROBE	0 - 100% STROBE	Sets all main sources strobe value
	GLOW	INTENSITY	0 – 100% BRIGHTNESS	Sets glow all pixels dimmer value
		RED	0 – 100% RED	Sets glow red value
		GREEN	0 – 100% GREEN	Sets glow green value
		BLUE	0 – 100% BLUE	Glow blue value
		WHITE	0 – 100% WHITE	Glow white value
	CENTER SOURCE	INTENSITY	0 – 100% BRIGHTNESS	Sets Center Source dimmer value
RED		0 – 100% RED	Sets Center Source red value	

Menu

		GREEN	0 – 100% GREEN	Sets Center Source green value
		BLUE	0 – 100% BLUE	Sets Center Source blue value
		WHITE	0 – 100% WHITE	Sets Center Source white value
	MACRO	MACRO	MACRO NUMBER SELECT	Selects macro
		MACRO SPEED	MACRO SPEED	Sets the macro speed
		MACRO INTENSITY	0 – 100% BRIGHTNESS	Sets macro intensity value

Red values are editable.

DMX Chart

I. Mode Simple.

DMX channel	Parameter	Description
1.	Intensity Main Source Ch. 1	Pixel 1 HaloLED 8 bit dimmer 0 – 100%
2.	Intensity Main Source Ch. 2	Pixel 2 HaloLED 8 bit dimmer 0 – 100%
3.	Intensity Main Source Ch. 3	Pixel 3 HaloLED 8 bit dimmer 0 – 100%
4.	Intensity Glow	RGBW Glow All pixels 8 bit dimmer 0 – 100%
5.	Red All glow	Red glow 8 bit on all pixels
6.	Green All glow	Green glow 8 bit on all pixels
7.	Blue All glow	Blue glow 8 bit on all pixels
8.	White All glow	White glow 8 bit on all pixels
9.	Strobe Main Source	HaloLED strobe channel
10.	Strobe glow	Glow strobe channel
11.	Color wheel All glow	Glow virtual color wheel on all pixels
12.	Intensity Center Source	Center Source 8 bit dimmer 0 – 100%
13.	Red Center Source	Red Center Source 8 bit
14.	Green Center Source	Green Center Source 8 bit
15.	Blue Center Source	Blue Center Source 8 bit
16.	White Center Source	White Center Source 8 bit
17.	Strobe Center Source	Center Source strobe channel
18.	Intensity Macro	Macro 8 bit dimmer 0 – 100%
19.	Macro	Macro select channel
20.	Macro speed	Macro speed channel
21.	Control	Fixture control channel

II. Mode Simple Fine.

DMX channel	Parameter	Description
1.	Intensity Main Source Ch. 1	Pixel 1 HaloLED 8 bit dimmer 0 – 100%
2.	Intensity Main Source Ch. 1 fine	Pixel 1 HaloLED 16 bit dimmer 0 – 100%
3.	Intensity Main Source Ch. 2	Pixel 2 HaloLED 8 bit dimmer 0 – 100%
4.	Intensity Main Source Ch. 2 fine	Pixel 2 HaloLED 16 bit dimmer 0 – 100%
5.	Intensity Main Source Ch. 3	Pixel 3 HaloLED 8 bit dimmer 0 – 100%
6.	Intensity Main Source Ch. 3 fine	Pixel 3 HaloLED 16 bit dimmer 0 – 100%
7.	Intensity Glow	RGBW Glow All pixels 8 bit dimmer 0 – 100%
8.	Intensity Glow fine	RGBW Glow All pixels 16 bit dimmer 0 – 100%
9.	Red All glow	Red glow 8 bit on all pixels
10.	Red All glow fine	Red glow 16 bit on all pixels
11.	Green All glow	Green glow 8 bit on all pixels
12.	Green All glow fine	Green glow 16 bit on all pixels
13.	Blue All glow	Blue glow 8 bit on all pixels
14.	Blue All glow fine	Blue glow 16 bit on all pixels
15.	White All glow	White glow 8 bit on all pixels
16.	White All glow fine	White glow 16 bit on all pixels
17.	Strobe Main Source	HaloLED strobe channel
18.	Strobe glow	Glow strobe channel
19.	Color wheel All glow	Glow virtual color wheel on all pixels
20.	Intensity Center Source	Center Source 8 bit dimmer 0 – 100%
21.	Red Center Source	Red Center Source 8 bit
22.	Green Center Source	Green Center Source 8 bit
23.	Blue Center Source	Blue Center Source 8 bit
24.	White Center Source	White Center Source 8 bit
25.	Strobe Center Source	Center Source strobe channel
26.	Intensity Macro	Macro 8 bit dimmer 0 – 100%
27.	Macro	Macro select channel
28.	Macro speed	Macro speed channel
29.	Control	Fixture control channel

III. Mode Standard.

DMX channel	Parameter	Description
1.	Intensity Main Source Ch. 1	Pixel 1 HaloLED 8 bit dimmer 0 – 100%
2.	Intensity Main Source Ch. 2	Pixel 2 HaloLED 8 bit dimmer 0 – 100%
3.	Intensity Main Source Ch. 3	Pixel 3 HaloLED 8 bit dimmer 0 – 100%
4.	Intensity Glow	RGBW Glow All pixels 8 bit dimmer 0 – 100%
5.	Red glow 1	Red glow 8 bit on pixel 1
6.	Green glow 1	Green glow 8 bit on pixel 1
7.	Blue glow 1	Blue glow 8 bit on pixel 1
8.	White glow 1	White glow 8 bit on pixel 1
9.	Red glow 2	Red glow 8 bit on pixel 2
10.	Green glow 2	Green glow 8 bit on pixel 2
11.	Blue glow 2	Blue glow 8 bit on pixel 2
12.	White glow 2	White glow 8 bit on pixel 2
13.	Red glow 3	Red glow 8 bit on pixel 3
14.	Green glow 3	Green glow 8 bit on pixel 3
15.	Blue glow 3	Blue glow 8 bit on pixel 3
16.	White glow 3	White glow 8 bit on pixel 3
17.	Strobe Main Source	HaloLED strobe channel
18.	Strobe glow	Glow strobe channel
19.	Color wheel All glow	Glow virtual color wheel on all pixels
20.	Intensity Center Source	Center Source 8 bit dimmer 0 – 100%
21.	Red Center Source	Red Center Source 8 bit
22.	Green Center Source	Green Center Source 8 bit
23.	Blue Center Source	Blue Center Source 8 bit
24.	White Center Source	White Center Source 8 bit
25.	Strobe Center Source	Center Source strobe channel
26.	Intensity Macro	Macro 8 bit dimmer 0 – 100%
27.	Macro	Macro select channel
28.	Macro speed	Macro speed channel
29.	Control	Fixture control channel

IV. Mode Standard Fine.

DMX channel	Parameter	Description
1.	Intensity Main Source Ch. 1	Pixel 1 HaloLED 8 bit dimmer 0 – 100%
2.	Intensity Main Source Ch. 1 fine	Pixel 1 HaloLED 16 bit dimmer 0 – 100%
3.	Intensity Main Source Ch. 2	Pixel 2 HaloLED 8 bit dimmer 0 – 100%
4.	Intensity Main Source Ch. 2 fine	Pixel 2 HaloLED 16 bit dimmer 0 – 100%
5.	Intensity Main Source Ch. 3	Pixel 3 HaloLED 8 bit dimmer 0 – 100%
6.	Intensity Main Source Ch. 3 fine	Pixel 3 HaloLED 16 bit dimmer 0 – 100%
7.	Intensity Glow	RGBW Glow All pixels 8 bit dimmer 0 – 100%
8.	Intensity Glow fine	RGBW Glow All pixels 16 bit dimmer 0 – 100%
9.	Red glow 1	Red glow 8 bit on pixel 1
10.	Red glow 1 fine	Red glow 16 bit on pixel 1
11.	Green glow 1	Green glow 8 bit on pixel 1
12.	Green glow 1 fine	Green glow 16 bit on pixel 1
13.	Blue glow 1	Blue glow 8 bit on pixel 1
14.	Blue glow 1 fine	Blue glow 16 bit on pixel 1
15.	White glow 1	White glow 8 bit on pixel 1
16.	White glow 1 fine	White glow 16 bit on pixel 1
17.	Red glow 2	Red glow 8 bit on pixel 2
18.	Red glow 2 fine	Red glow 16 bit on pixel 2
19.	Green glow 2	Green glow 8 bit on pixel 2
20.	Green glow 2 fine	Green glow 16 bit on pixel 2
21.	Blue glow 2	Blue glow 8 bit on pixel 2
22.	Blue glow 2 fine	Blue glow 16 bit on pixel 2
23.	White glow 2	White glow 8 bit on pixel 2
24.	White glow 2 fine	White glow 16 bit on pixel 2
25.	Red glow 3	Red glow 8 bit on pixel 3
26.	Red glow 3 fine	Red glow 16 bit on pixel 3
27.	Green glow 3	Green glow 8 bit on pixel 3
28.	Green glow 3 fine	Green glow 16 bit on pixel 3
29.	Blue glow 3	Blue glow 8 bit on pixel 3
30.	Blue glow 3 fine	Blue glow 16 bit on pixel 3
31.	White glow 3	White glow 8 bit on pixel 3
32.	White glow 3 fine	White glow 16 bit on pixel 3
33.	Strobe Main Source	HaloLED strobe channel
34.	Strobe glow	Glow strobe channel
35.	Color wheel All glow	Glow virtual color wheel on all pixels
36.	Intensity Center Source	Center Source 8 bit dimmer 0 – 100%
37.	Red Center Source	Red Center Source 8 bit
38.	Green Center Source	Green Center Source 8 bit
39.	Blue Center Source	Blue Center Source 8 bit
40.	White Center Source	White Center Source 8 bit
41.	Strobe Center Source	Center Source strobe channel
42.	Intensity Macro	Macro 8 bit dimmer 0 – 100%
43.	Macro	Macro select channel
44.	Macro speed	Macro speed channel
45.	Control	Fixture control channel

V. Mode Pixel.

DMX channel	Parameter	Description
1.	Intensity Main Source Ch.1	Pixel 1 HaloLED 8 bit dimmer 0 – 100%
2.	Red glow 1	Red glow 8 bit on pixel 1
3.	Green glow 1	Green glow 8 bit on pixel 1
4.	Blue glow 1	Blue glow 8 bit on pixel 1
5.	White glow 1	White glow 8 bit on pixel 1
6.	Intensity Main Source Ch. 2	Pixel 2 HaloLED 8 bit dimmer 0 – 100%
7.	Red glow 2	Red glow 8 bit on pixel 2
8.	Green glow 2	Green glow 8 bit on pixel 2
9.	Blue glow 2	Blue glow 8 bit on pixel 2
10.	White glow 2	White glow 8 bit on pixel 2
11.	Intensity Main Source Ch. 3	Pixel 3 HaloLED 8 bit dimmer 0 – 100%
12.	Red glow 3	Red glow 8 bit on pixel 3
13.	Green glow 3	Green glow 8 bit on pixel 3
14.	Blue glow 3	Blue glow 8 bit on pixel 3
15.	White glow 3	White glow 8 bit on pixel 3
16.	Strobe Main Source	HaloLED strobe channel
17.	Strobe glow	Glow strobe channel
18.	Color wheel All glow	Glow virtual color wheel on all pixels
19.	Intensity Center Source	Center Source 8 bit dimmer 0 – 100%
20.	Red Center Source	Red Center Source 8 bit
21.	Green Center Source	Green Center Source 8 bit
22.	Blue Center Source	Blue Center Source 8 bit
23.	White Center Source	White Center Source 8 bit
24.	Strobe Center Source	Center Source strobe channel
25.	Intensity Macro	Macro 8 bit dimmer 0 – 100%
26.	Macro	Macro select channel
27.	Macro speed	Macro speed channel
28.	Control	Fixture control channel

VI. Mode Pixel Fine.

DMX channel	Parameter	Description
1.	Intensity Main Source Ch. 1	Pixel 1 HaloLED 8 bit dimmer 0 – 100%
2.	Intensity Main Source Ch. 1 fine	Pixel 1 HaloLED 16 bit dimmer 0 – 100%
3.	Red glow 1	Red glow 8 bit on pixel 1
4.	Red glow 1 fine	Red glow 16 bit on pixel 1
5.	Green glow 1	Green glow 8 bit on pixel 1
6.	Green glow 1 fine	Green glow 16 bit on pixel 1
7.	Blue glow 1	Blue glow 8 bit on pixel 1
8.	Blue glow 1 fine	Blue glow 16 bit on pixel 1
9.	White glow 1	White glow 8 bit on pixel 1
10.	White glow 1 fine	White glow 16 bit on pixel 1
11.	Intensity Main Source Ch. 2	Pixel 2 HaloLED 8 bit dimmer 0 – 100%
12.	Intensity Main Source Ch. 2 fine	Pixel 2 HaloLED 16 bit dimmer 0 – 100%
13.	Red glow 2	Red glow 8 bit on pixel 2
14.	Red glow 2 fine	Red glow 16 bit on pixel 2
15.	Green glow 2	Green glow 8 bit on pixel 2
16.	Green glow 2 fine	Green glow 16 bit on pixel 2
17.	Blue glow 2	Blue glow 8 bit on pixel 2
18.	Blue glow 2 fine	Blue glow 16 bit on pixel 2
19.	White glow 2	White glow 8 bit on pixel 2
20.	White glow 2 fine	White glow 16 bit on pixel 2
21.	Intensity Main Source Ch. 3	Pixel 3 HaloLED 8 bit dimmer 0 – 100%
22.	Intensity Main Source Ch. 3 fine	Pixel 3 HaloLED 16 bit dimmer 0 – 100%
23.	Red glow 3	Red glow 8 bit on pixel 3
24.	Red glow 3 fine	Red glow 16 bit on pixel 3
25.	Green glow 3	Green glow 8 bit on pixel 3
26.	Green glow 3 fine	Green glow 16 bit on pixel 3
27.	Blue glow 3	Blue glow 8 bit on pixel 3
28.	Blue glow 3 fine	Blue glow 16 bit on pixel 3
29.	White glow 3	White glow 8 bit on pixel 3
30.	White glow 3 fine	White glow 16 bit on pixel 3
31.	Strobe Main Source	HaloLED strobe channel
32.	Strobe glow	Glow strobe channel
33.	Color wheel All glow	Glow virtual color wheel on all pixels
34.	Intensity Center Source	Center Source 8 bit dimmer 0 – 100%
35.	Red Center Source	Red Center Source 8 bit
36.	Green Center Source	Green Center Source 8 bit
37.	Blue Center Source	Blue Center Source 8 bit
38.	White Center Source	White Center Source 8 bit
39.	Strobe Center Source	Center Source strobe channel
40.	Intensity Macro	Macro 8 bit dimmer 0 – 100%
41.	Macro	Macro select channel
42.	Macro speed	Macro speed channel
43.	Control	Fixture control channel



portman[®]
lights



Portman Lights Sp. z o.o.
al. Zwycięstwa 96/98,
81-451 Gdynia, Poland

 +48 58 766 49 49

 portmanlights.com

 /PortmanLights

 /PortmanLights



Help preserve the environment! Ensure that this product is recycled at the end of its life. Your supplier can give details of local arrangements for the disposal of Portman products.